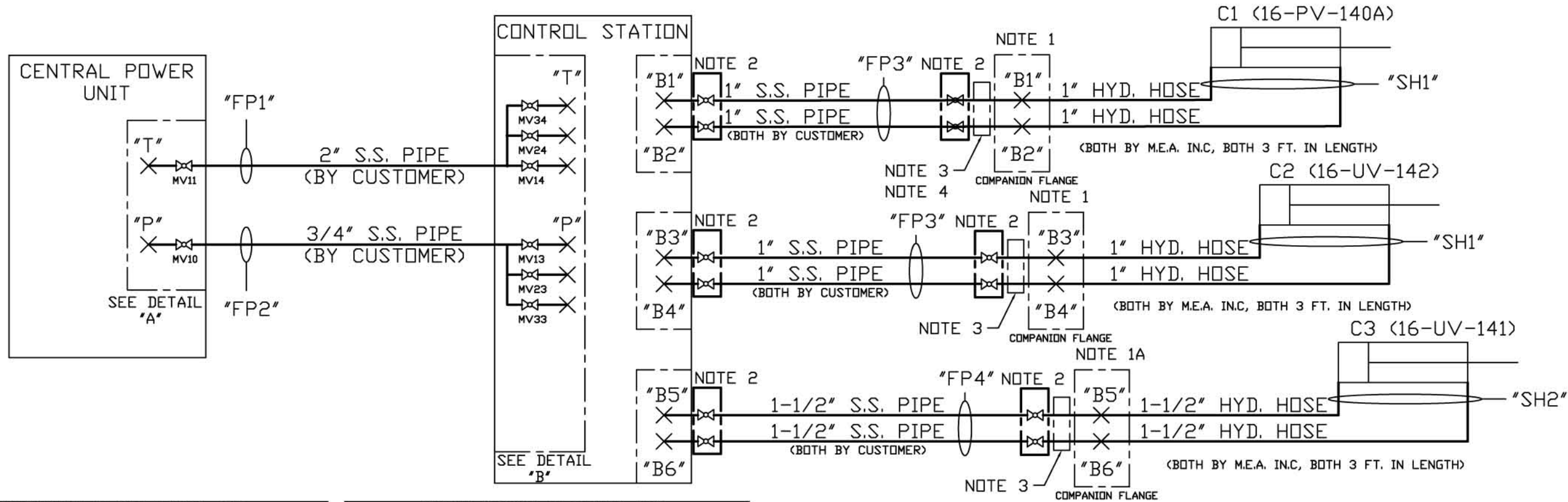


DATE	BY	REVISION RECORD	CDW	JR	CK



HEADER LEGEND FOR CONTROL SKID	
P	PRESSURE FROM CENTRAL HPU
T	TANK LINE FROM CENTRAL HPU
B1	CYLINDER EXTEND CONNECTION FOR 16-PV-140A
B2	CYLINDER RETRACT CONNECTION FOR 16-PV-140A
B3	CYLINDER EXTEND CONNECTION FOR 16-UV-142
B4	CYLINDER RETRACT CONNECTION FOR 16-UV-142
B5	CYLINDER EXTEND CONNECTION FOR 16-UV-141
B6	CYLINDER RETRACT CONNECTION FOR 16-UV-141

HEADER - FLANGES SPECIFICATION "A"	
1" PIPE SOCKET WELD FLANGE 4-BOLT SAE TYPE W/ O-RING & HARDWARE 3000 PSI RATING FOR CUSTOMER USE SUPPLIED BY M.E.A. QTY. 2	
1 1/2" PIPE SOCKET WELD FLANGE 4-BOLT SAE TYPE W/ O-RING & HARDWARE 3000 PSI RATING FOR CUSTOMER USE SUPPLIED BY M.E.A. QTY. 2	
3/4" PIPE SOCKET WELD FLANGE 4-BOLT SAE TYPE W/ O-RING & HARDWARE 3000 PSI RATING FOR CUSTOMER USE SUPPLIED BY M.E.A. QTY. 1	
2" PIPE SOCKET WELD FLANGE 4-BOLT SAE TYPE W/ O-RING & HARDWARE 3000 PSI RATING FOR CUSTOMER USE SUPPLIED BY M.E.A. QTY. 1	

(REF. D12417-503)

HEADER LEGEND FOR CENTRAL HPU	
3/4" PIPE SOCKET WELD FLANGE 4-BOLT SAE TYPE W/ O-RING & HARDWARE 3000 PSI RATING FOR CUSTOMER USE SUPPLIED BY M.E.A. QTY. 1	
2" PIPE SOCKET WELD FLANGE 4-BOLT SAE TYPE W/ O-RING & HARDWARE 3000 PSI RATING FOR CUSTOMER USE SUPPLIED BY M.E.A. QTY. 1	

HEADER DETAILS "B"	

(REF. D12417-502)

NOTES:

1. FLANGE CONNECTIONS BETWEEN THE S.S. PIPE (CUSTOMER) AND THE HYDRAULIC HOSES (M.E.A. INC.), FLAT FACED QTY. 4
- 1A. FLANGE CONNECTIONS BETWEEN THE S.S. PIPE (CUSTOMER) AND THE HYDRAULIC HOSES (M.E.A. INC.), QTY. 4
2. SOCKET WELD BALL VALVE 1/4 TURN SHIPPED LOOSE.
3. SOCKET WELD FLANGE SET FOR FIELD INSTALLATION PURPOSES. (1-FLANGE, 1- COMPANION)
4. COMPANION FLANGE (QTY. 2) PROVIDED WITH 3/8" NPT BALL VALVE FOR USE WITH AUX. HYDRAULIC UNIT.

HEADER LEGEND FOR FIELD PIPING INFORMATION (BY CUSTOMER)	
FP1	2" S.S. PIPE, SCH. 80 (QTY. 1) (REF. D12417-504)
FP2	3/4" S.S. PIPE, SCH. 80 (QTY. 1) (REF. D12417-504)
FB3	1" S.S. PIPING, SCH. 80 (QTY. 4) (REF. D12417-504)
FB4	1-1/2" S.S. PIPING, SCH. 80 (QTY. 2) (REF. D12417-504)

HEADER LEGEND FOR FIELD PIPING INFORMATION (BY M.E.A.)	
SH1	1" HYDRAULIC HOSE W/HARDWARE-3 FT. IN LENGTH (QTY. 4)
SH2	1-1/2" HYDRAULIC HOSE W/HARDWARE-3 FT. IN LENGTH (QTY. 2)

THIS IS AN AUTOCAD-DWG DRAWING. DO NOT REVISE MANUALLY. CAB FILE # 10472C

INC., ELK GROVE, ILL.			
THIS DRAWING IS THE PROPERTY OF M.E.A. INC. IT IS LOANED WITH THE UNDERSTANDING THAT IT MAY NOT BE REPRODUCED NOR MAY THE INFORMATION CONTAINED HEREIN BE USED FOR THE MAKING OF DRAWINGS OR FOR MANUFACTURING PURPOSES WITHOUT THE WRITTEN CONSENT OF M.E.A. INC.			
TOLERANCES UNLESS AS NOTED	SCALE	DRAWN BY JL	CK CC
±NA	NA	APPROVED BY TL	
TITLE FIELD PIPING			
DATE 8/03/05	DRAWING NUMBER D12417-509	REV. C	