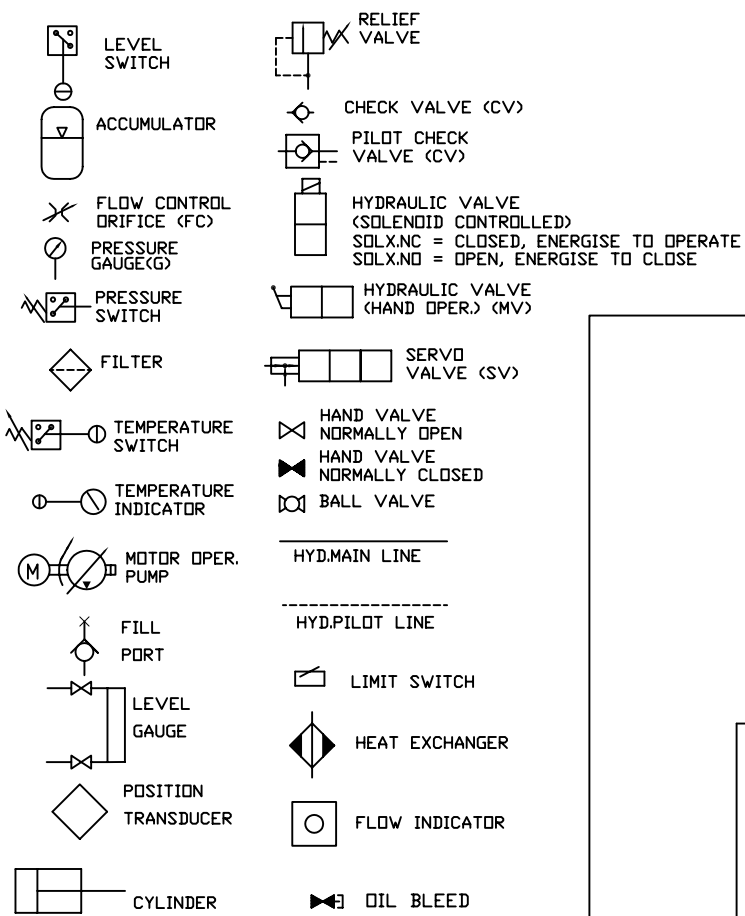
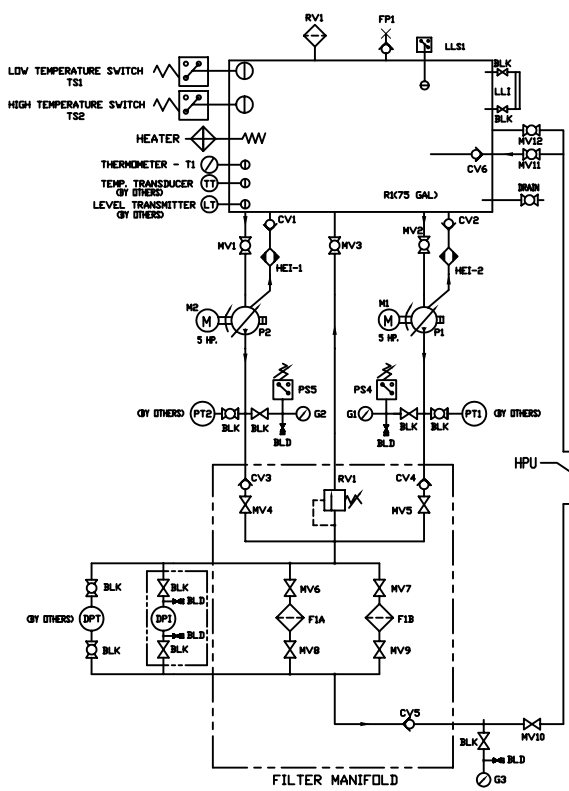


LEGEND

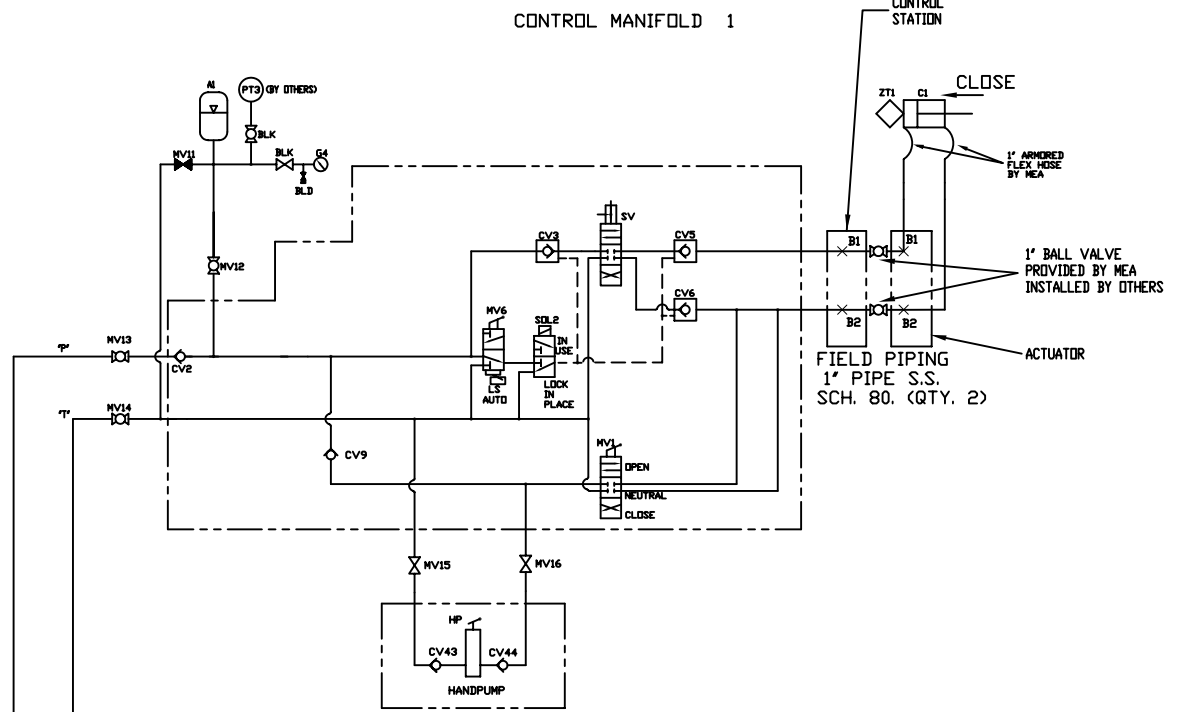


CENTRAL POWER UNIT



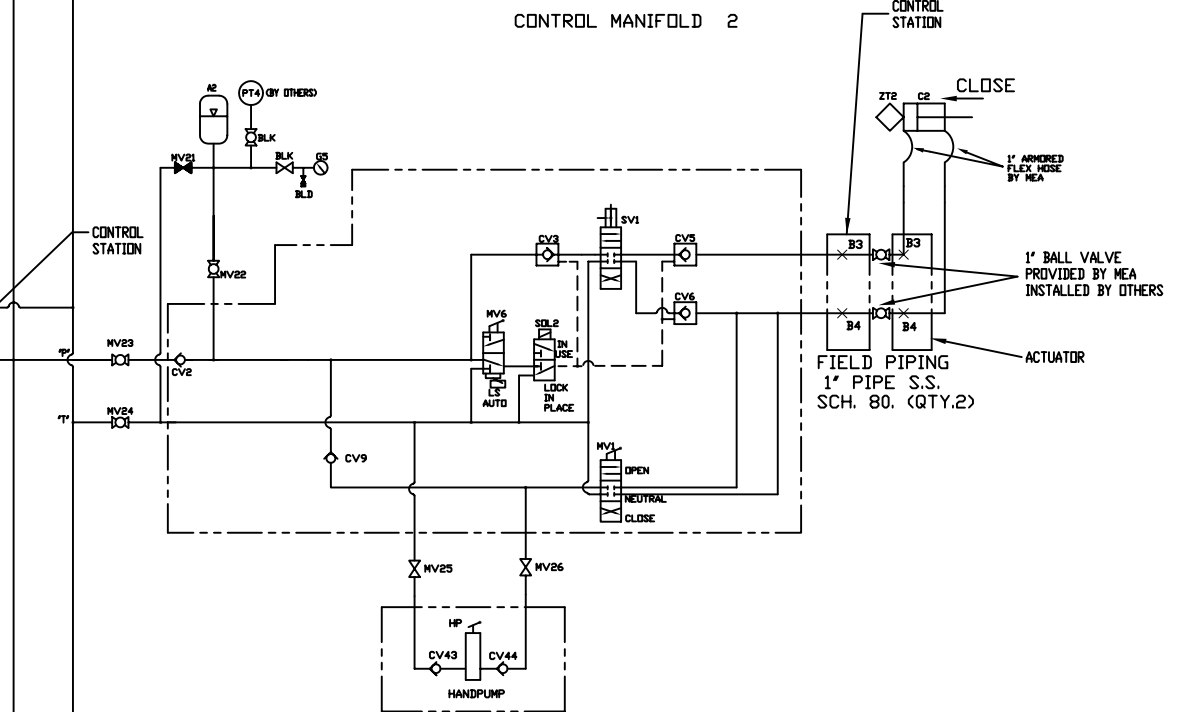
FEED SUCTION ACTUATOR (16-PV-140A)

CONTROL MANIFOLD 1



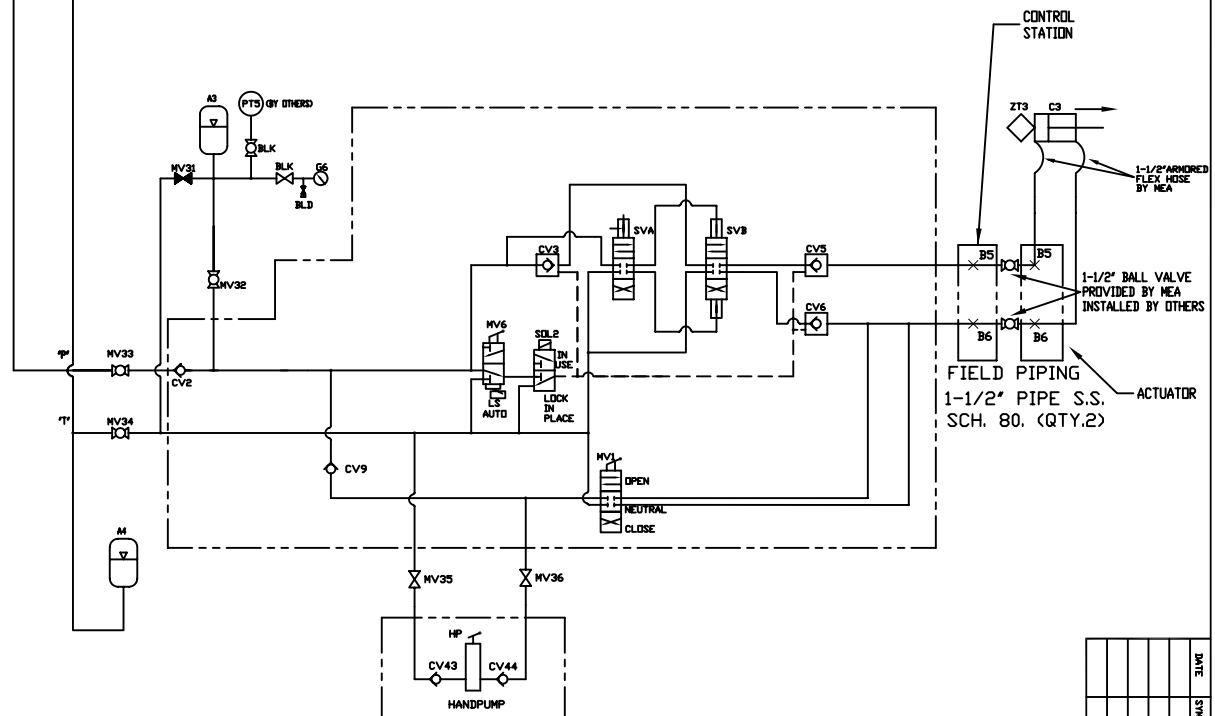
SECOND STAGE ANTI SURGE ACTUATOR (16-UV-142)

CONTROL MANIFOLD 2



FIRST STAGE ANTI SURGE ACTUATOR (16-UV-141)

CONTROL MANIFOLD 3



DATE	7-14-05	REV.	C
DRAWING NUMBER	D12417-504		
TITLE	HYDRAULIC SCHEMATIC		
SCALE	N/A		
DRAWN BY	BJG	OK	SLS
APPROVED BY	BJG		
<p>INC., ELK GROVE, ILL.</p> <p>THIS IS AN AUTOMATIC DRAWING. DO NOT RE-ENTER MANUALLY.</p> <p>10454C</p>			

DATE	BY	REVISION RECORD	EQW	SR	CR