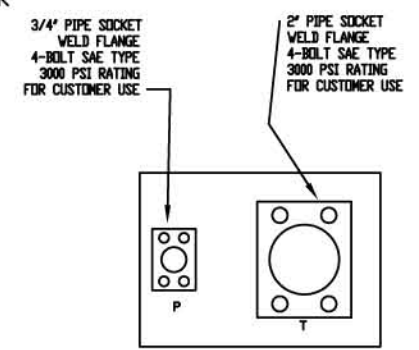
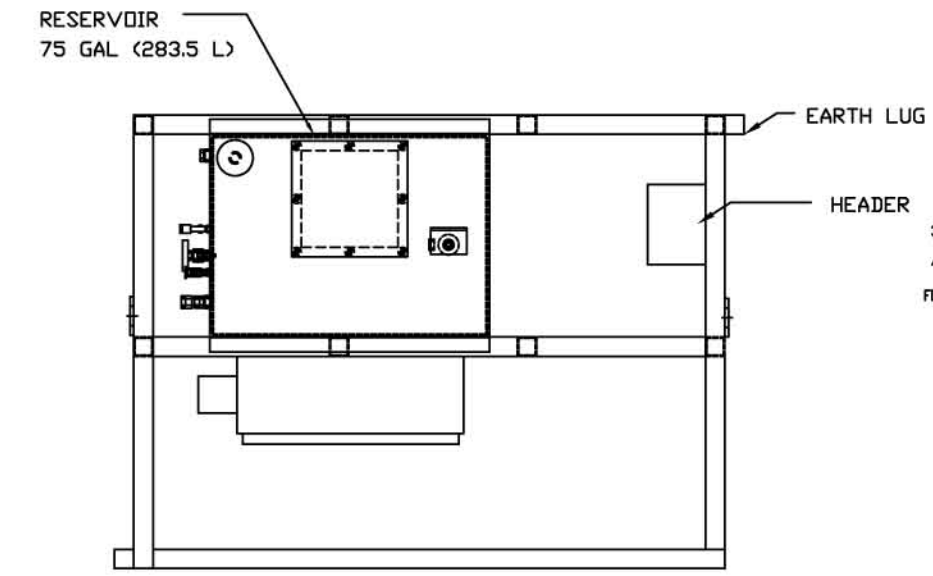
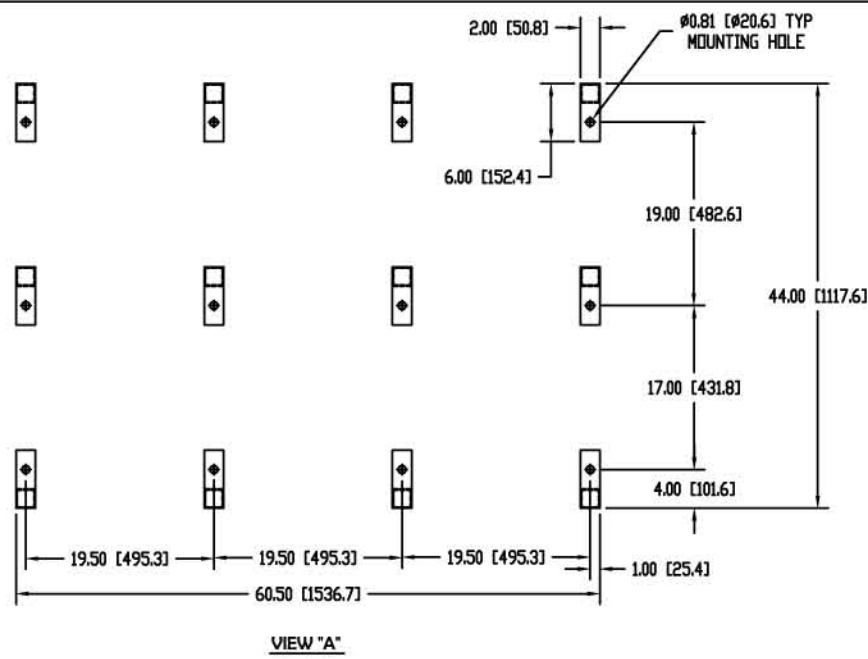
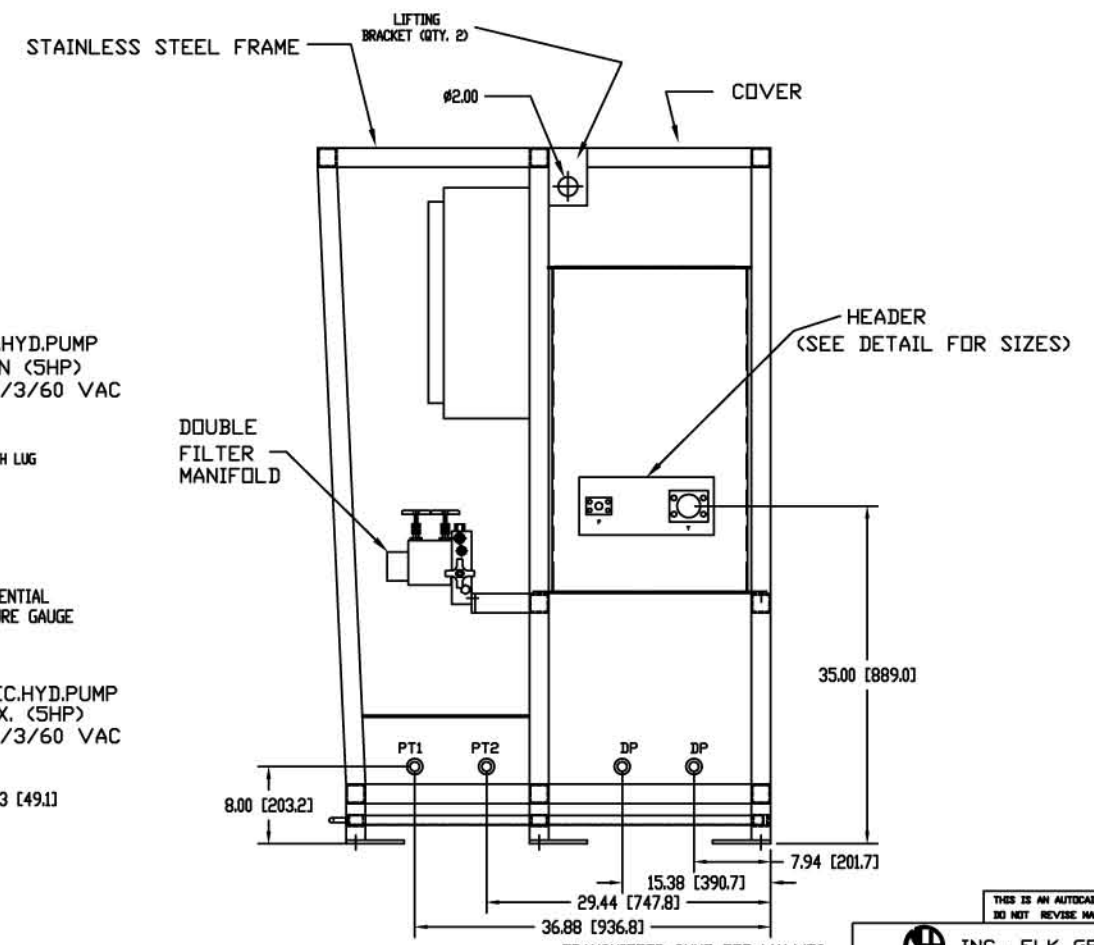
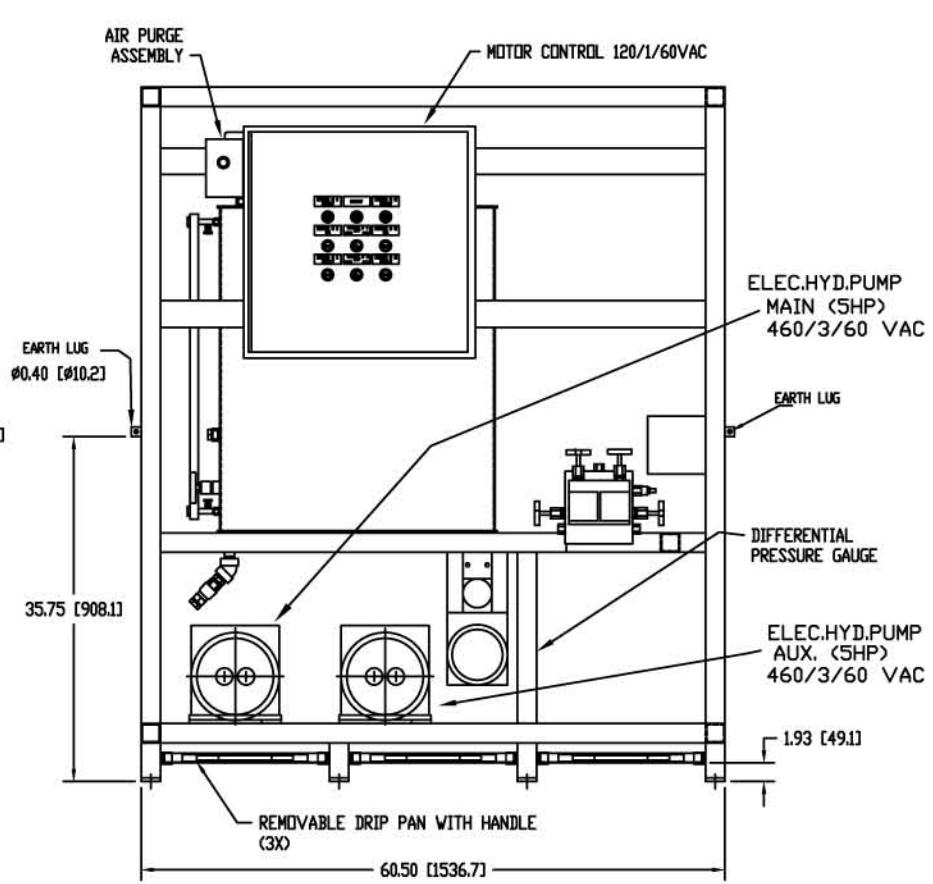
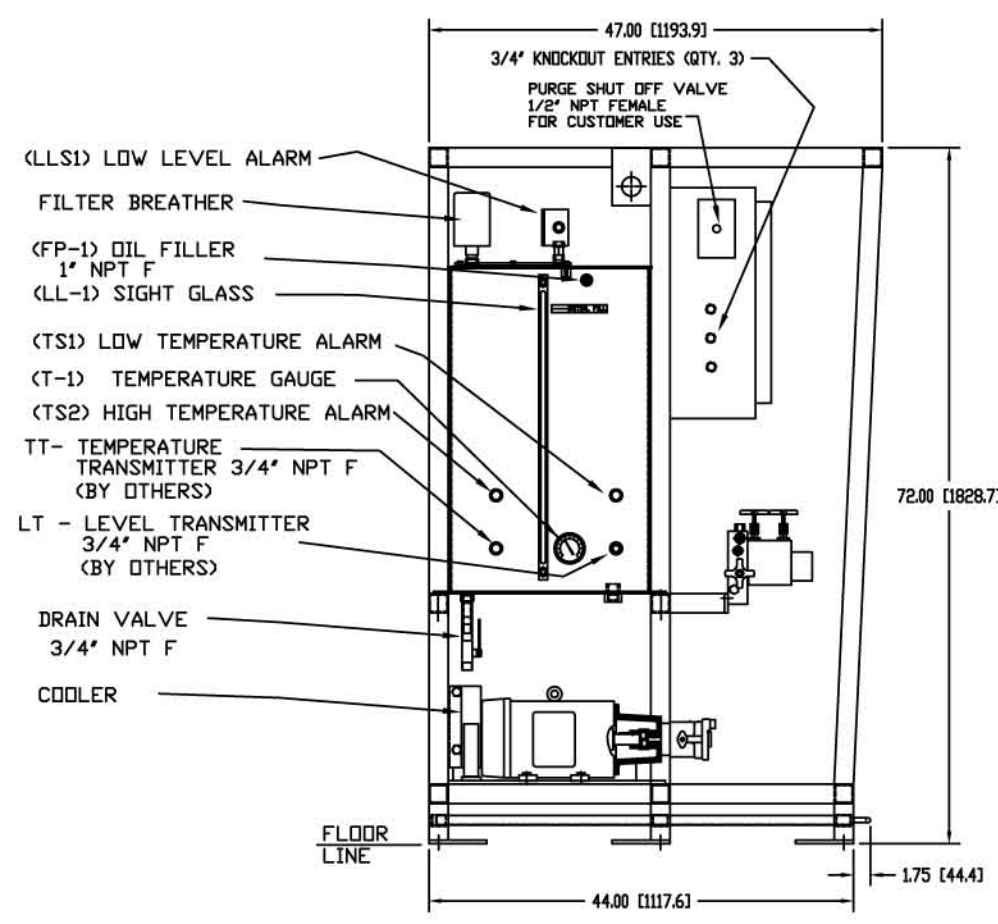


DATE	BY	REVISION	RECORD	CDW	DR	CK



**HEADER DETAILS**  
SCALE 3:1



- NOTES:**
1. WEIGHT APPROX: 2800 LBS. (1272 KG)
  2. DIMENSIONS IN INCHES (MM)
  3. CUSTOMER TO PROVIDE SUN SHADE & HEAT SHIELDING AS NECESSARY TO PREVENT RADIATED HEAT FROM PIPING & VESSELS.

THIS IS AN AUTOCAD-DWG DRAWING  
DO NOT REVISE MANUALLY.

INC., ELK GROVE, ILL.

THIS DRAWING IS THE PROPERTY OF NEA, INC. IT IS LOANED WITH THE UNDERSTANDING THAT IT MAY NOT BE REPRODUCED OR THE INFORMATION CONTAINED HEREIN BE USED FOR THE MAKING OF DRAWINGS OR FOR MANUFACTURING PURPOSES WITHOUT THE WRITTEN CONSENT OF NEA, INC.

**LEGEND**  
PT1- PRIMARY PUMP PRESSURE.  
PT2- SECONDARY PUMP PRESSURE.  
DP- DIFFERENTIAL PRESSURE.  
P- PRESSURE CONNECTION.  
T- TANK CONNECTION.

THIS IS AN AUTOCAD-DWG DRAWING DO NOT REVISE MANUALLY.		CAB FILE # 10465C	
TOLERANCES UNLESS AS NOTED		SCALE 1:10	DRAWN BY BG CK CC APPROVED BY BG
TITLE CENTRAL HPU OUTLINE			
DATE 7-22-05	DRAWING NUMBER D12417-502	REV. C	