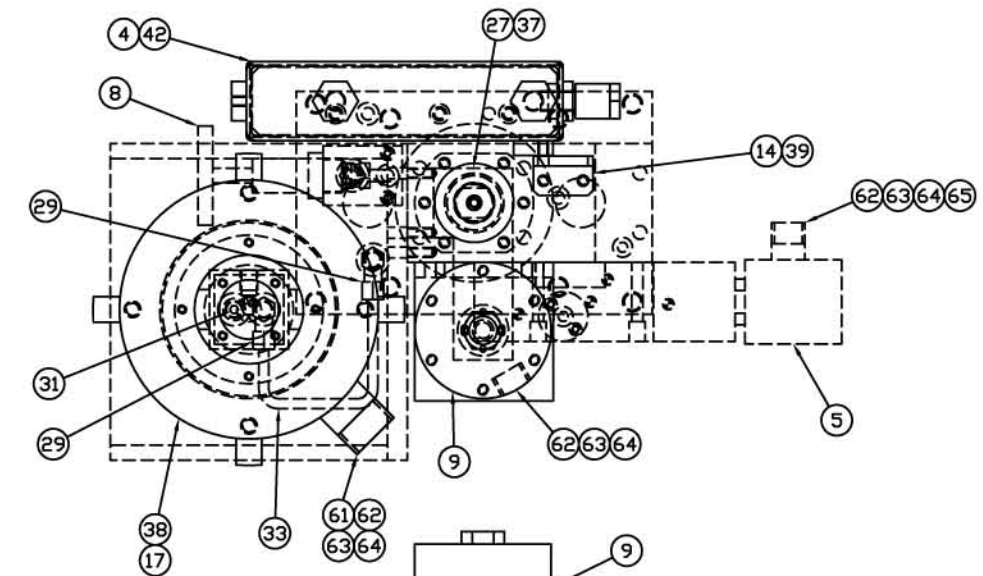
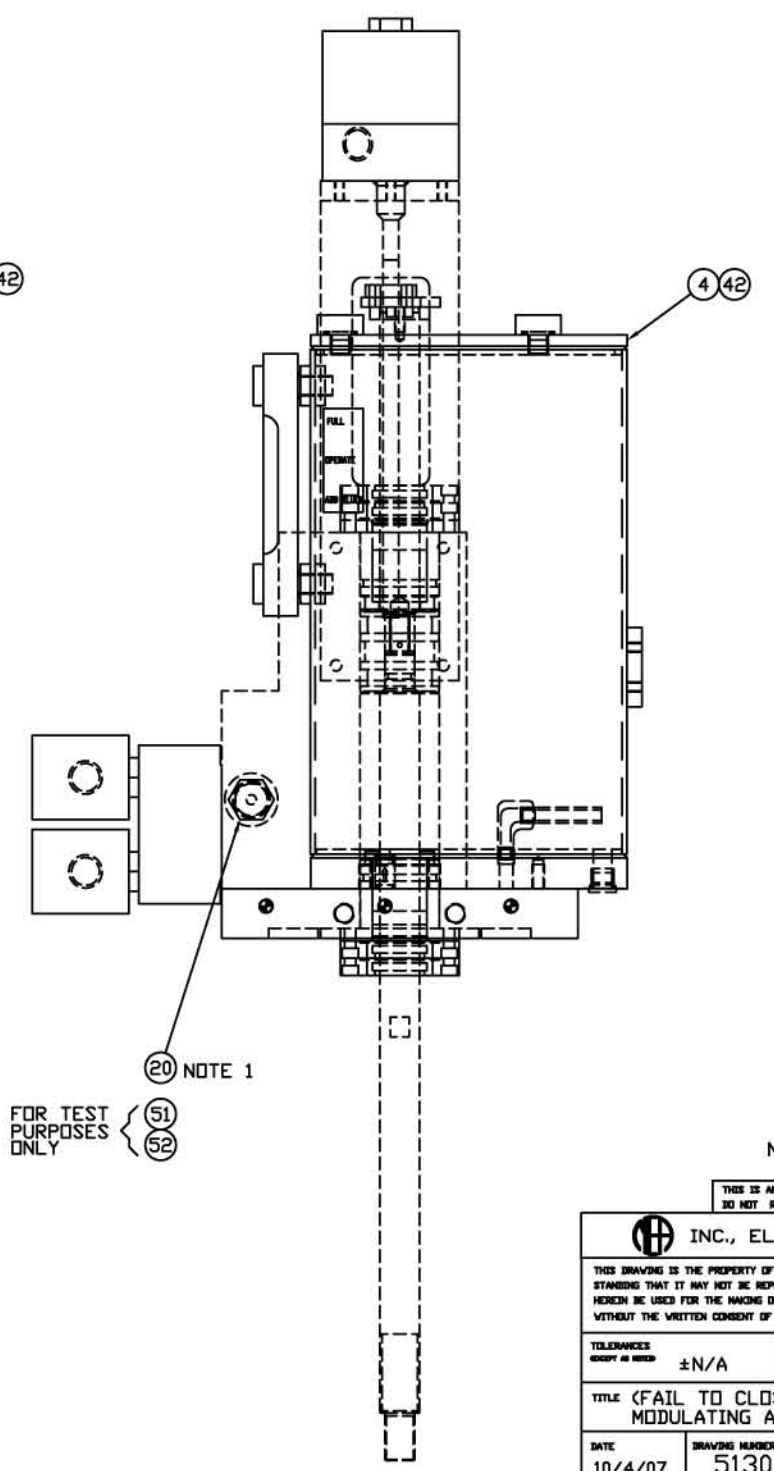
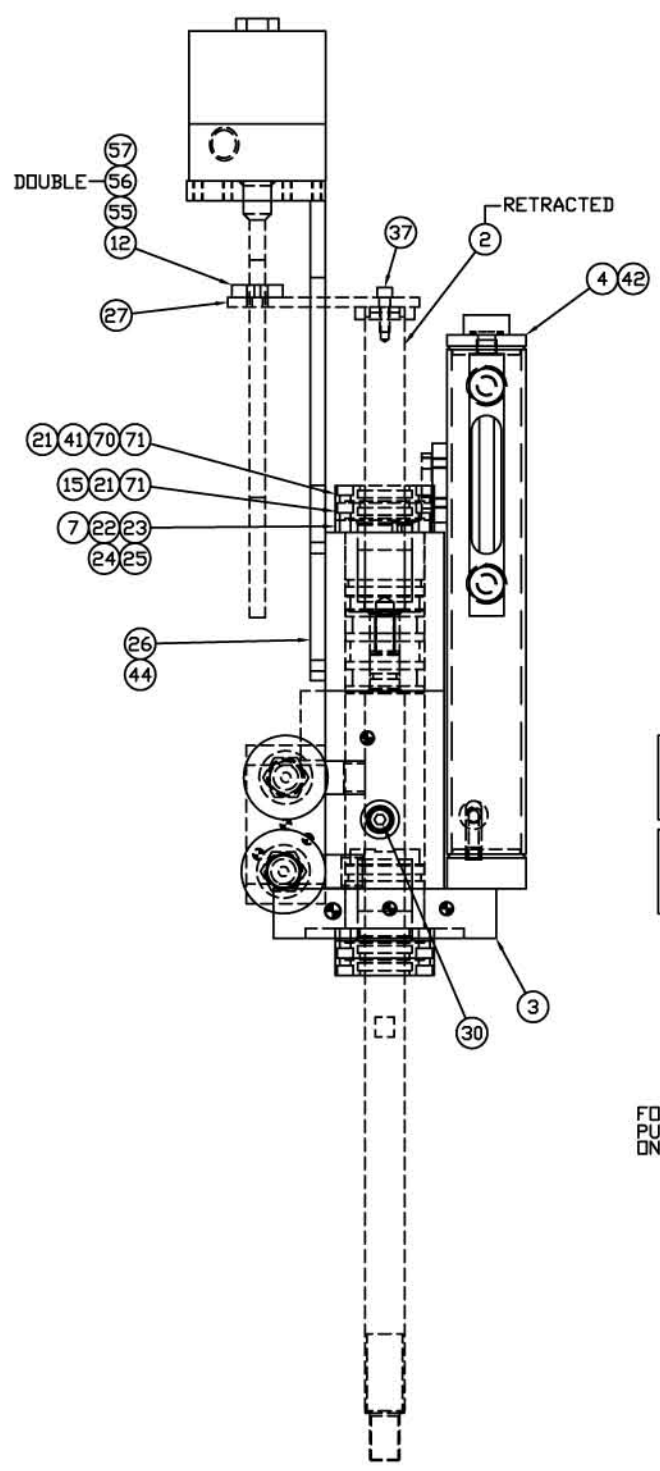
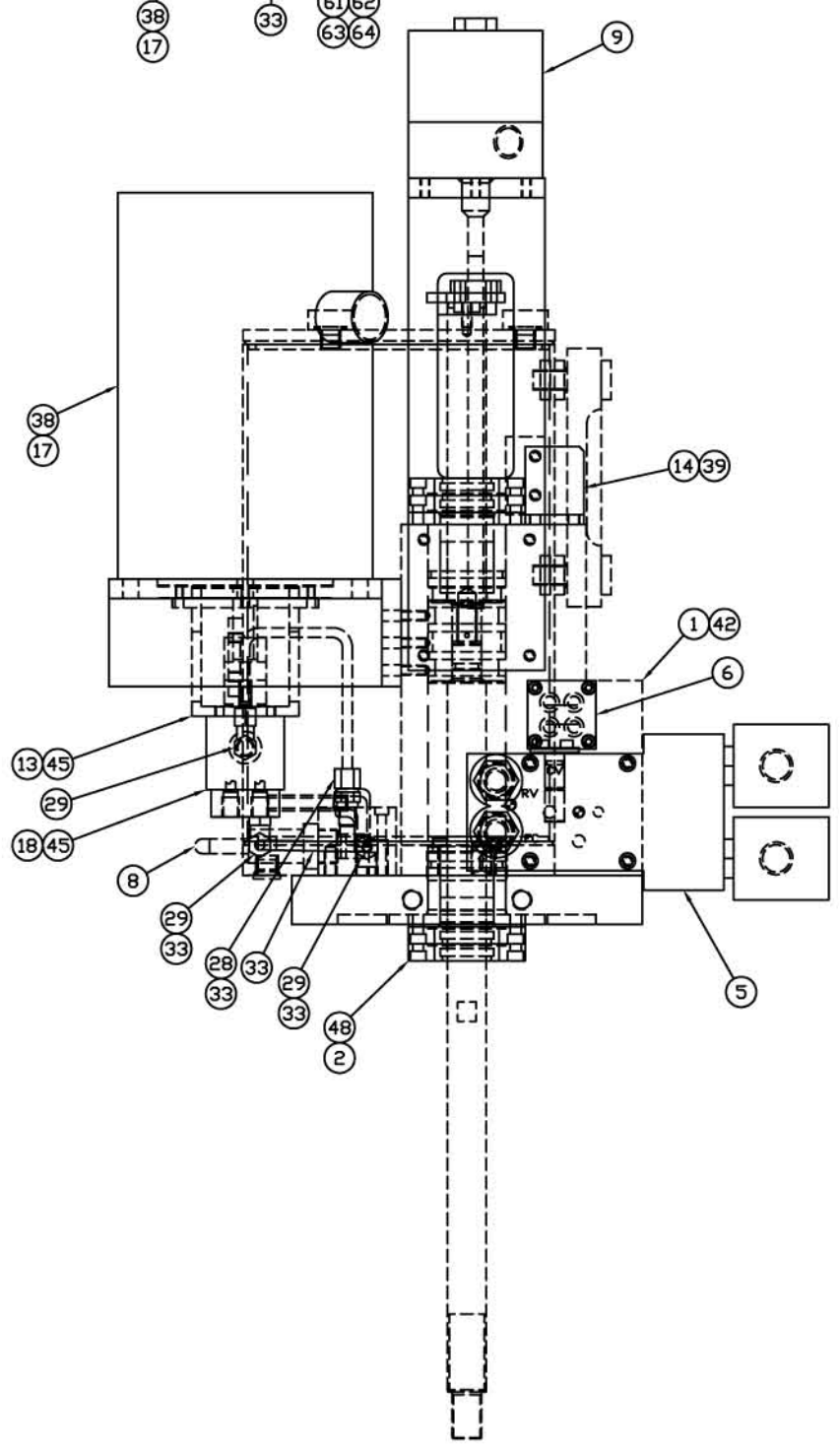
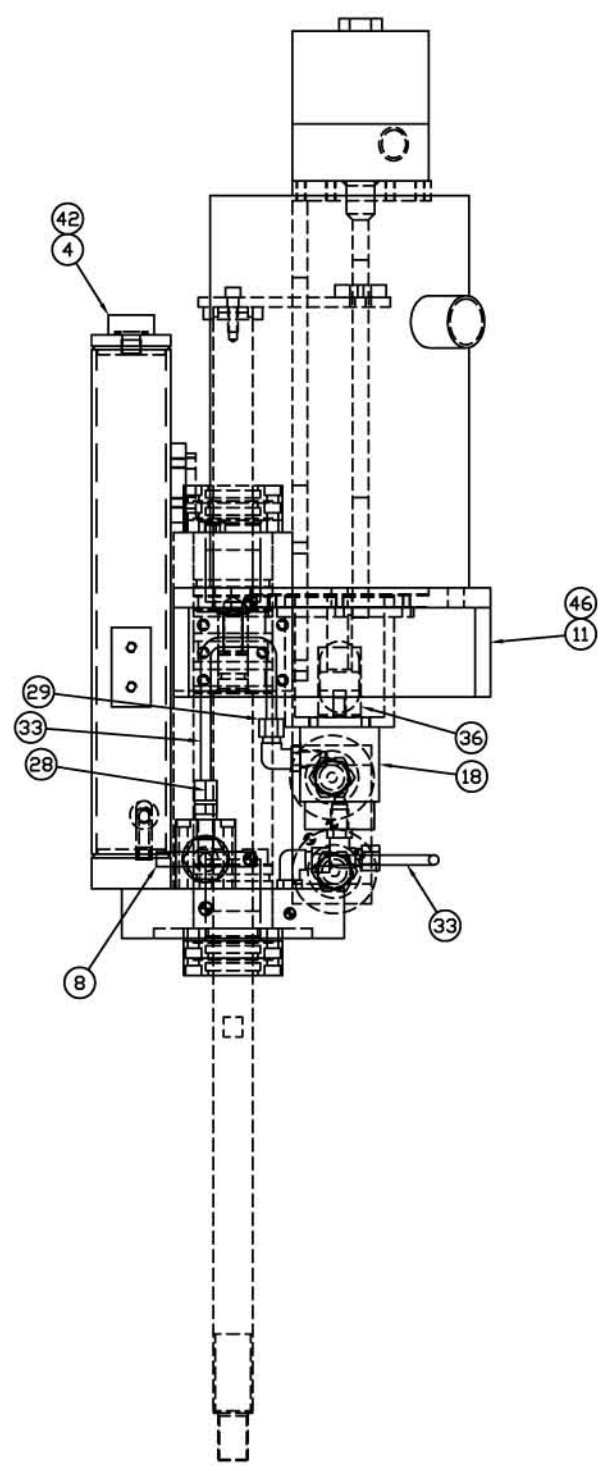


DATE	BY	REVISION	RECORD	EDM	DR	CK



- NOTES:
1. CLEAN FILTER ELEMENT AFTER TESTING.
  2. USE IT. 51 AND IT. 52 FOR DETERMINING PRESSURE SETTING OF 1700 PSI.
  3. TO CHECK THE PRESSURE REMOVE IT. 20 (FILTER) INSTALL IT. 51 (ADAPTER), AND IT. 52 (PRESSURE GAUGE).
  4. ALL TUBING BENDS TO BE 45° OR 90° UNLESS SPECIFIED OTHERWISE.
  5. ALL TUBING TO BE TRIMMED AT ASSEMBLY.



NRD5-33-075-84 (REF)

THIS IS AN AUTOCAD-DWG DRAWING. DO NOT REVISE MANUALLY. CAB FILE # 11440

<b>INC., ELK GROVE, ILL.</b>	
<small>THIS DRAWING IS THE PROPERTY OF NEA, INC. IT IS LOANED WITH THE UNDERSTANDING THAT IT MAY NOT BE REPRODUCED NOR MAY THE INFORMATION CONTAINED HEREIN BE USED FOR THE MAKING OF DRAWINGS OR FOR MANUFACTURING PURPOSES WITHOUT THE WRITTEN CONSENT OF NEA, INC.</small>	
TOLERANCES UNLESS OTHERWISE SPECIFIED	SCALE 1:2.5
DRAWN BY CC	CK MC
APPROVED BY MC	
<b>TITLE (FAIL TO CLOSE) SPRING EXTEND MODULATING ACTUATOR (4" STROKE)</b>	
DATE 10/4/07	REV. 0
DRAWING NUMBER 5130-37-051-84	