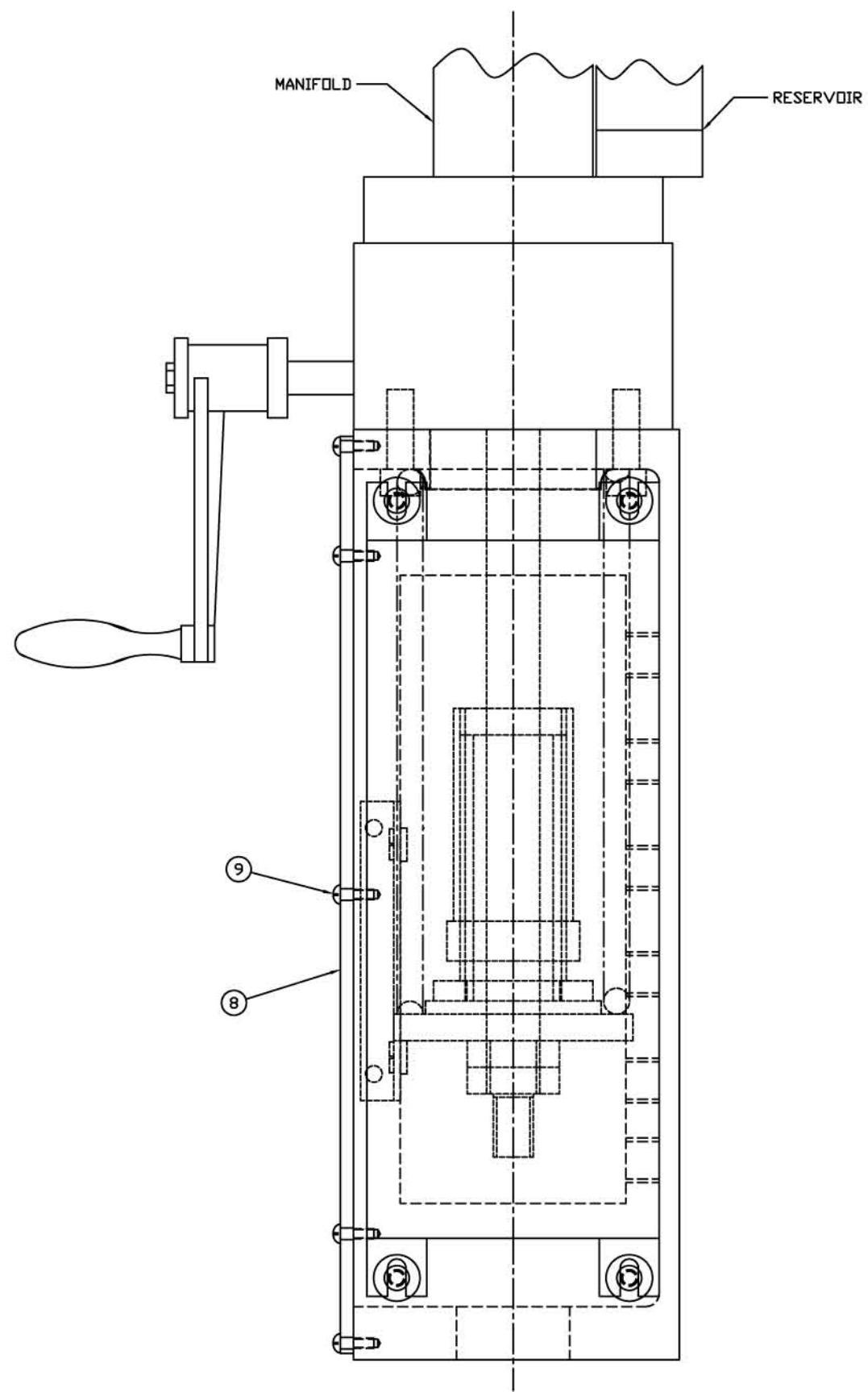
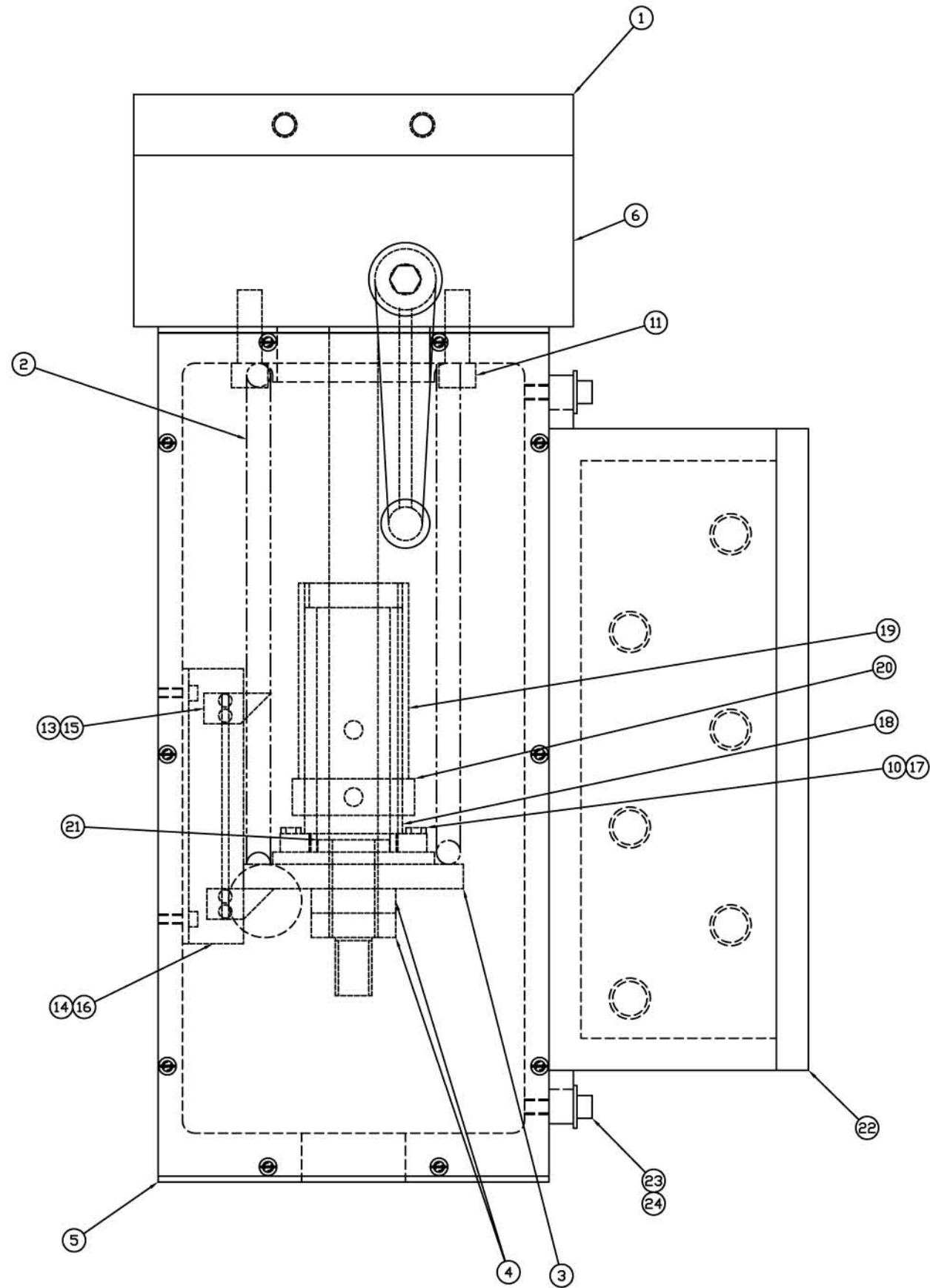


DATE	BY	REVISION	RECORD	EDW	JR	CK



NOTES:
 1. REFER TO NRD5-33-187-54 FOR SPRING INSTALLATION.
 2. ITEM 18 MUST BE SECURELY ASSEMBLED INTO ITEM 17.

NRD5-33-076-83A (REF)

THIS IS AN AUTOCAD-DWG DRAWING. DO NOT REVISE MANUALLY. CAB FILE # 11438

INC., ELK GROVE, ILL.

THIS DRAWING IS THE PROPERTY OF NEA, INC. IT IS LOANED WITH THE UNDERSTANDING THAT IT MAY NOT BE REPRODUCED NOR MAY THE INFORMATION CONTAINED HEREIN BE USED FOR THE MAKING OF DRAWINGS OR FOR MANUFACTURING PURPOSES WITHOUT THE WRITTEN CONSENT OF NEA, INC.

TOLERANCES UNLESS AS NOTED	SCALE	DRAWN BY	CC	CK	MC
±.01	1:1.5	APPROVED BY	MC		

TITLE MODULATING ACTUATOR (FAIL TO CLOSE) WITH MANUAL GEAR AND YOKE

DATE	DRAWING NUMBER	REV.
10/2/07	5130-37-001-84	0