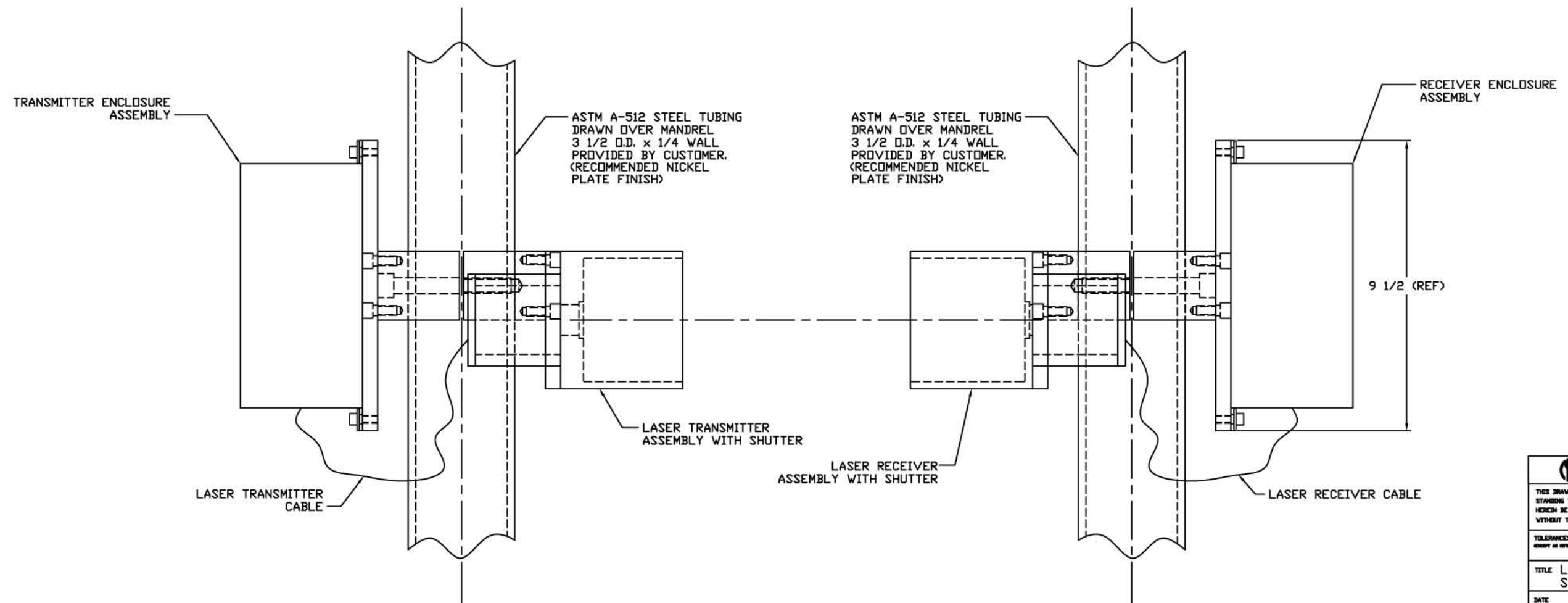
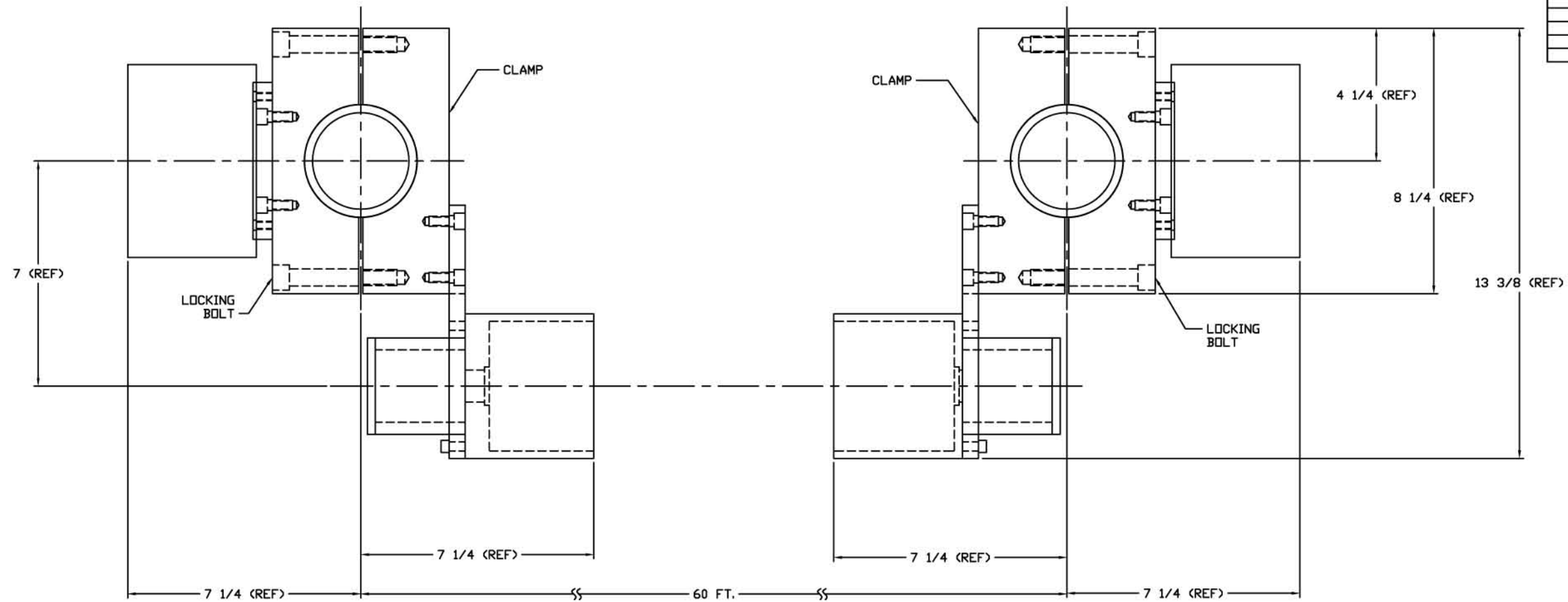


DATE	BY	REVISION RECORD	CDW	JR	CK



THIS IS AN AUTOCAD-DWG DRAWING. DO NOT REVISE MANUALLY. CAB FILE # 10697

INC., ELK GROVE, ILL.

THIS DRAWING IS THE PROPERTY OF NEA, INC. IT IS LOANED WITH THE UNDERSTANDING THAT IT MAY NOT BE REPRODUCED NOR MAY THE INFORMATION CONTAINED HEREIN BE USED FOR THE MAKING OF DRAWINGS OR FOR MANUFACTURING PURPOSES WITHOUT THE WRITTEN CONSENT OF NEA, INC.

TOLERANCES UNLESS AS NOTED	SCALE	DRAWN BY	CC	CK	BG
±N/A	1:2				
APPROVED BY		BG			

TITLE LASER TRANSMITTER - RECEIVER SYSTEM ASSEMBLY OUTLINE

DATE	DRAWING NUMBER	REV.
11/11/05	D12506-501	0