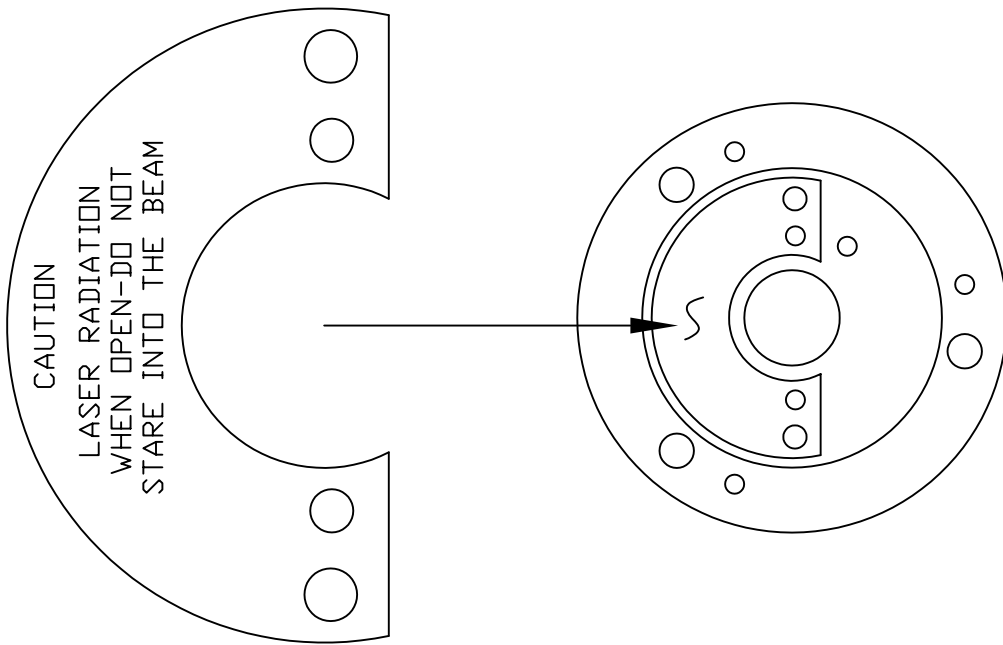
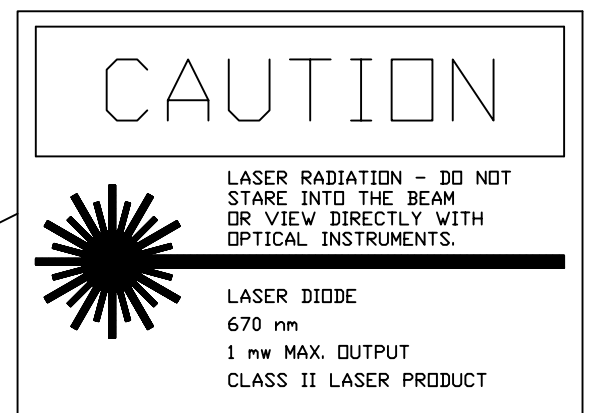


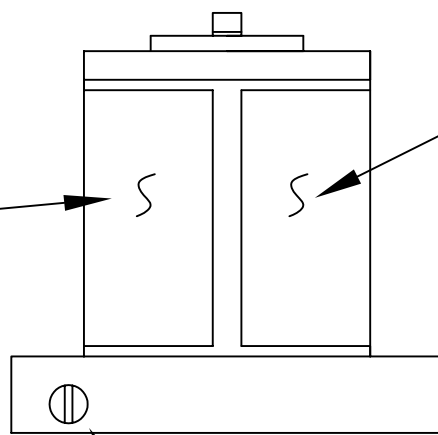
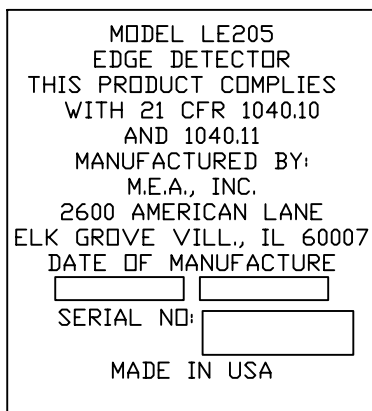
INTERLOCK LABEL
426-10-105-51



WARNING LABEL
426-10-102-51



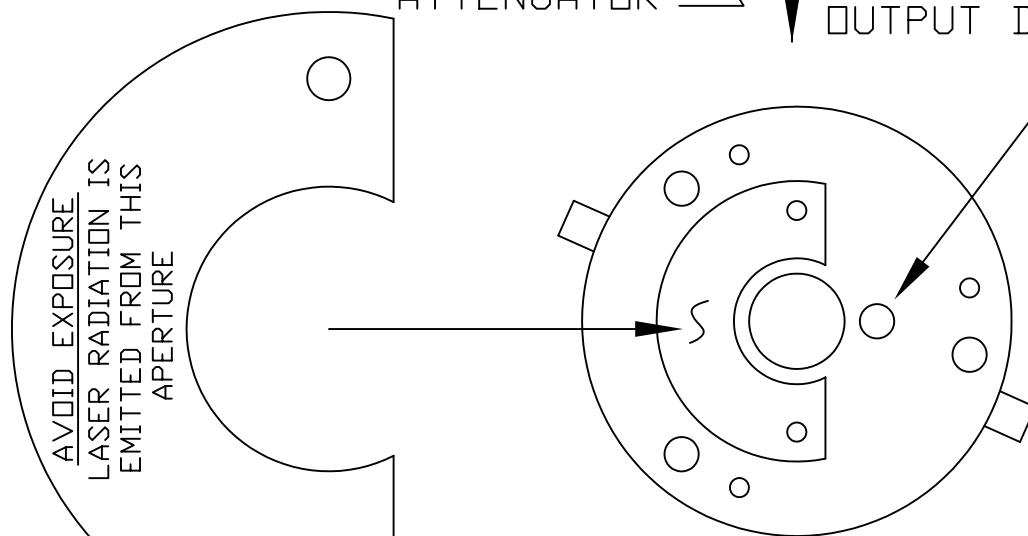
CERTIFICATION & IDENTIFICATION LABEL



BEAM ATTENUATOR



OUTPUT DIRECTION

EMISSION INDICATOR



APERTURE LABEL
426-10-106-51

426-10-001-01
PG. 6 OF 11

 INC., ELK GROVE, ILL. 		
THIS IS AN AUTOCAD DRAWING. DO NOT REVISE MANUALLY. CAD FILE # 008858.1	SCALE NA	DRAWN BY JL CK DT APPROVED BY DT
TITLE LE205 TRANSMITTER LABEL PLACEMENT		
DATE 07-10-02	DRAWING NUMBER 426-10-109-02	REV. 0

THIS DRAWING IS THE PROPERTY OF M.E.A. INC. IT IS LOANED WITH THE UNDERSTANDING THAT IT MAY NOT BE REPRODUCED NOR MAY THE INFORMATION CONTAINED HEREIN BE USED FOR THE MAKING OF DRAWINGS OR FOR MANUFACTURING PURPOSES WITHOUT THE WRITTEN CONSENT OF M.E.A. INC.