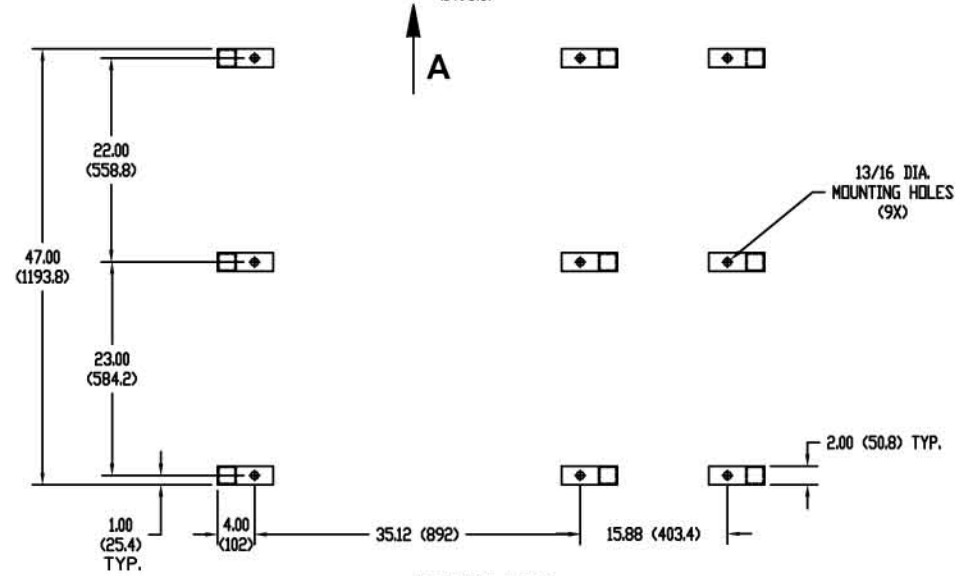
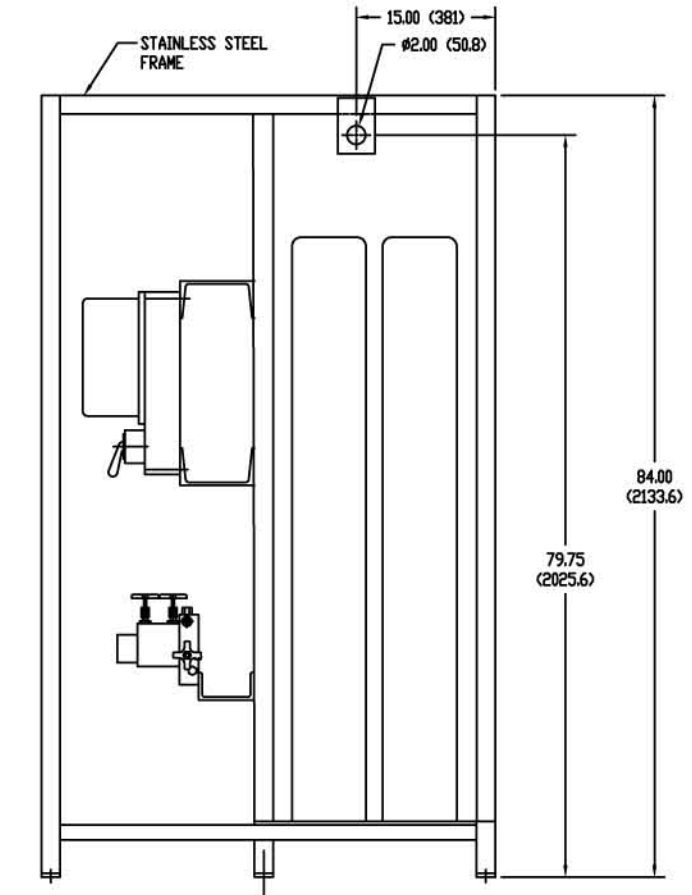
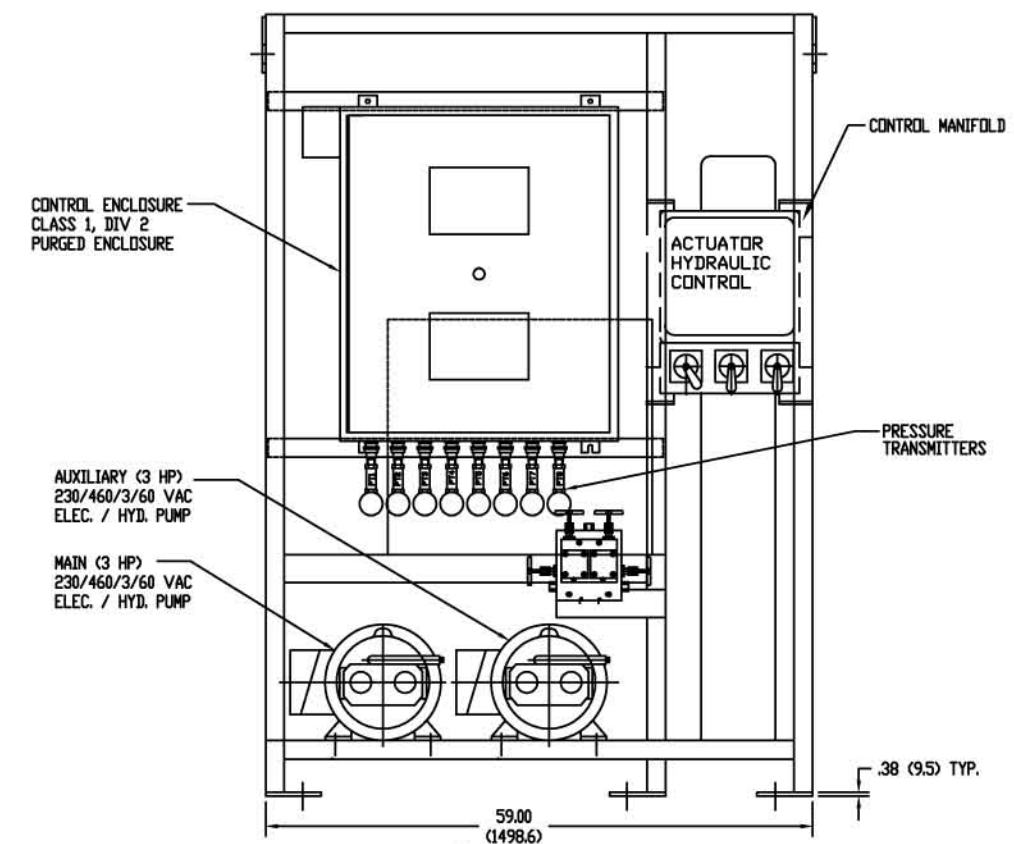
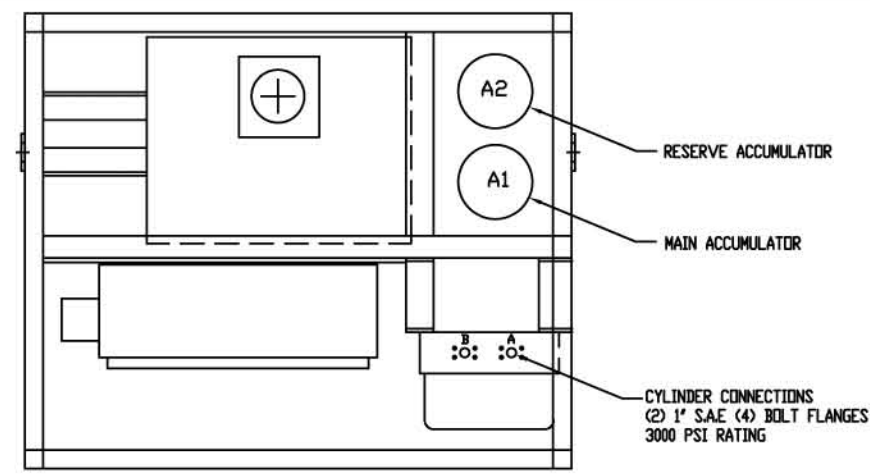
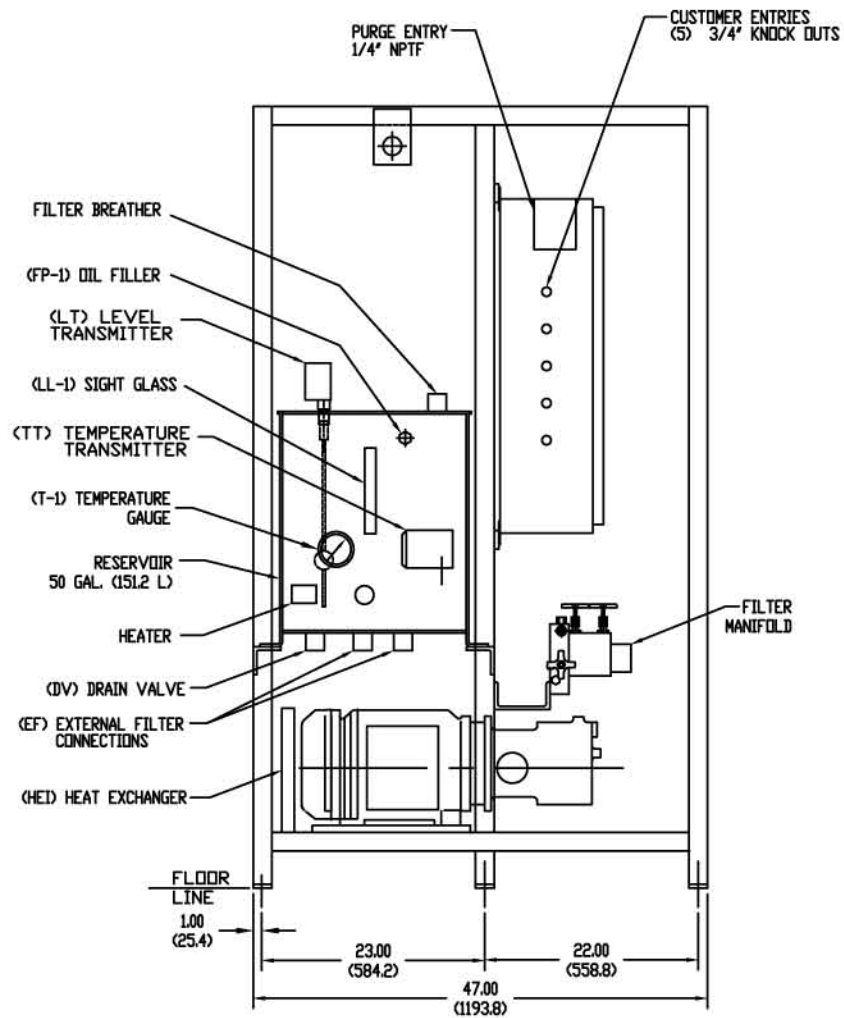


DATE	BY	REVISION	RECORD	CDW	JR	CK



- NOTES:
1. WEIGHT APPROX.: 2400 LBS. (1090 KG)
 2. DIMENSIONS IN INCHES (MM)
 3. CUSTOMER TO PROVIDE SUN SHADE & HEAT SHIELDING AS NECESSARY TO PREVENT RADIATED HEAT FROM PIPING & VESSELS.
 4. CONNECTING 1" DIA. 304 STAINLESS STEEL PIPING FURNISHED BY CUSTOMER.

D12982-513 (REF)

THIS IS AN AUTOCAD-13 DRAWING. DO NOT REVISE MANUALLY. CAB FILE # 11805

INC., ELK GROVE, ILL.

THIS DRAWING IS THE PROPERTY OF NEA, INC. IT IS LOANED WITH THE UNDERSTANDING THAT IT MAY NOT BE REPRODUCED NOR MAY THE INFORMATION CONTAINED HEREIN BE USED FOR THE MAKING OF DRAWINGS OR FOR MANUFACTURING PURPOSES WITHOUT THE WRITTEN CONSENT OF NEA, INC.

TOLERANCES UNLESS AS NOTED	±N/A	SCALE NTS	DRAWN BY JC	CK RH
TITLE NEC CODE / UOP SPEC. CATALYST SLIDE VALVE HYDRAULIC POWER UNIT OUTLINE			APPROVED BY MAC	
DATE 04/23/08	DRAWING NUMBER DP13145-503	REV. 0		