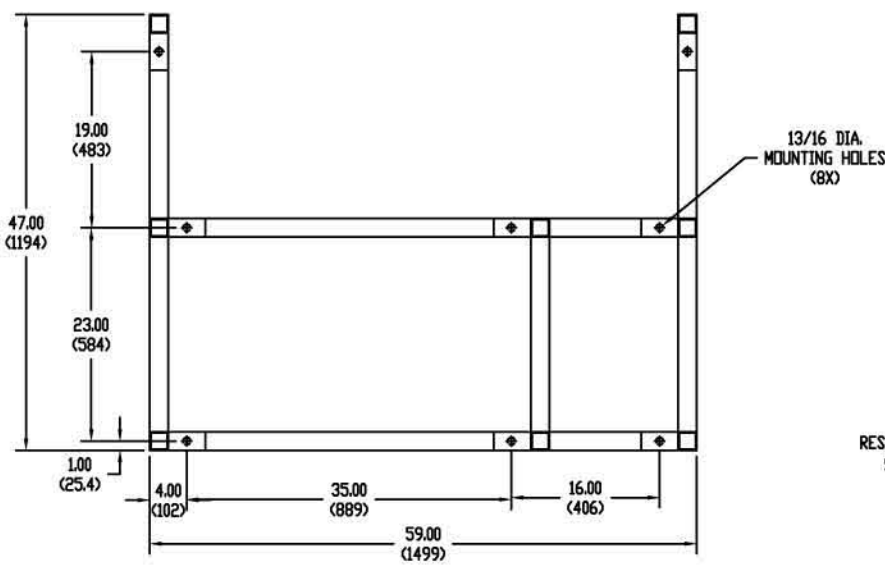
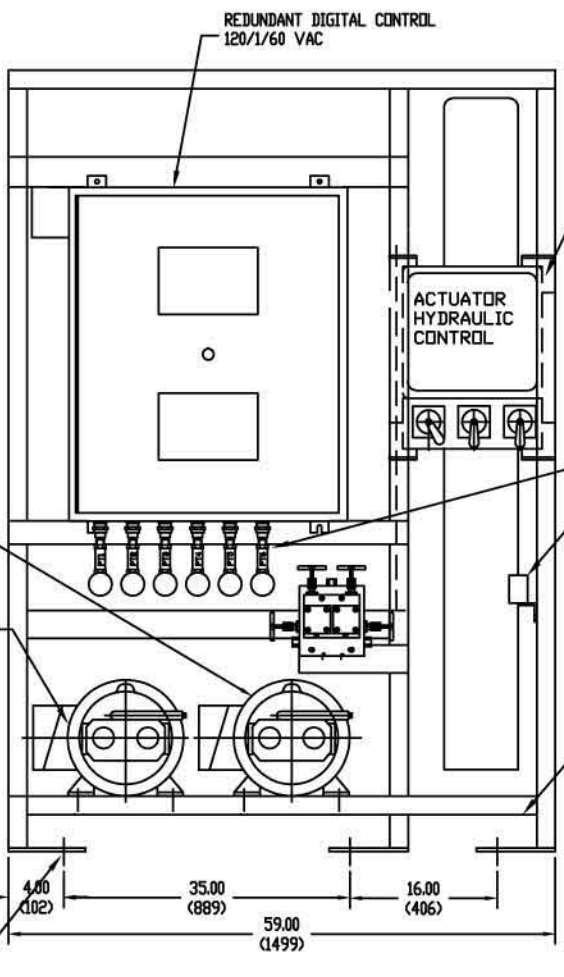
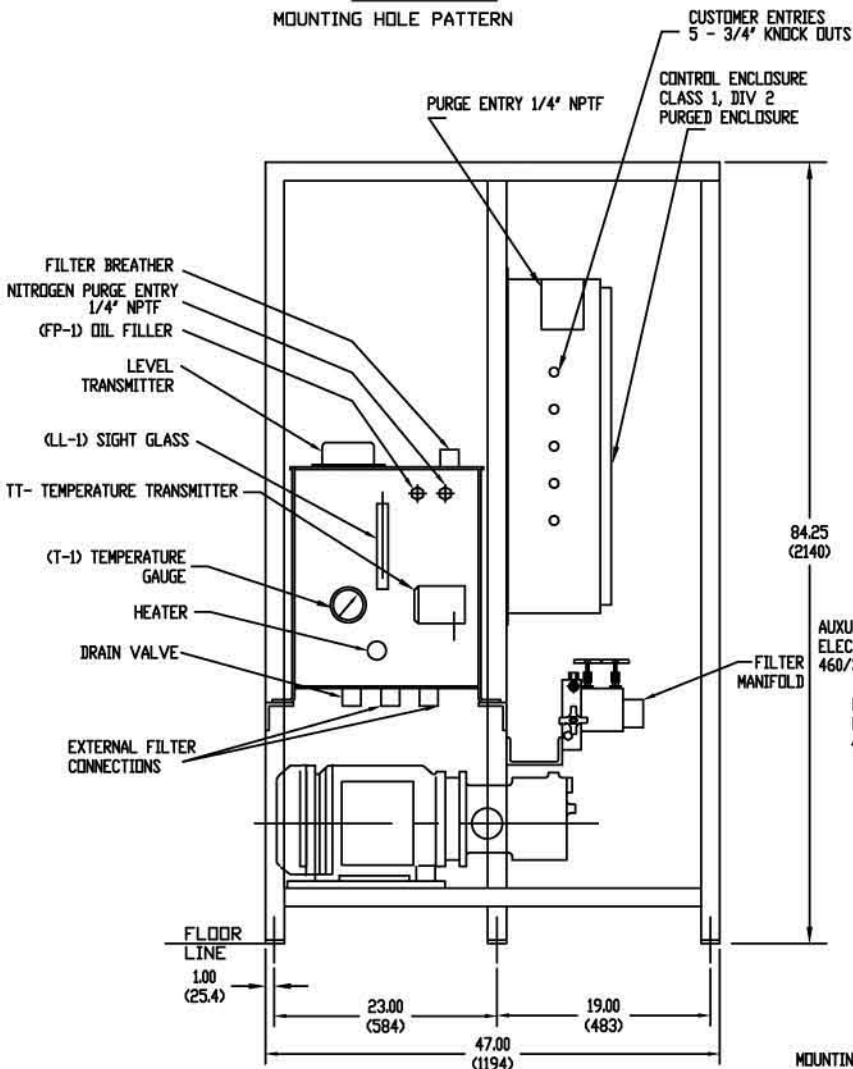
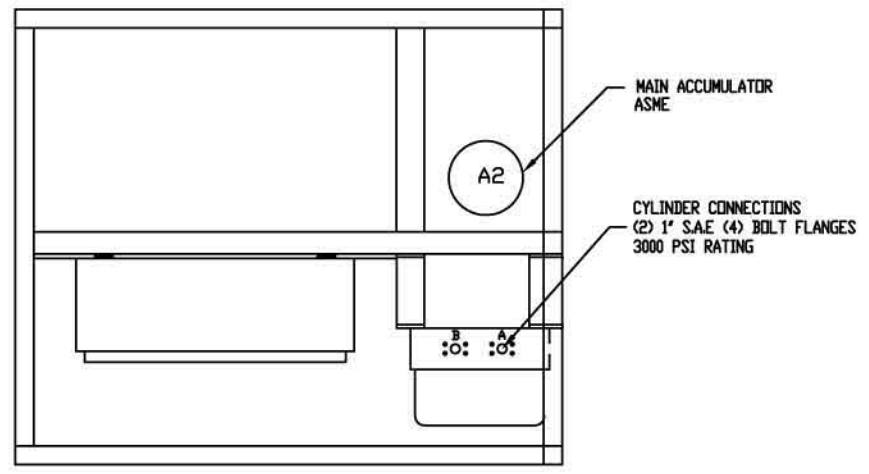
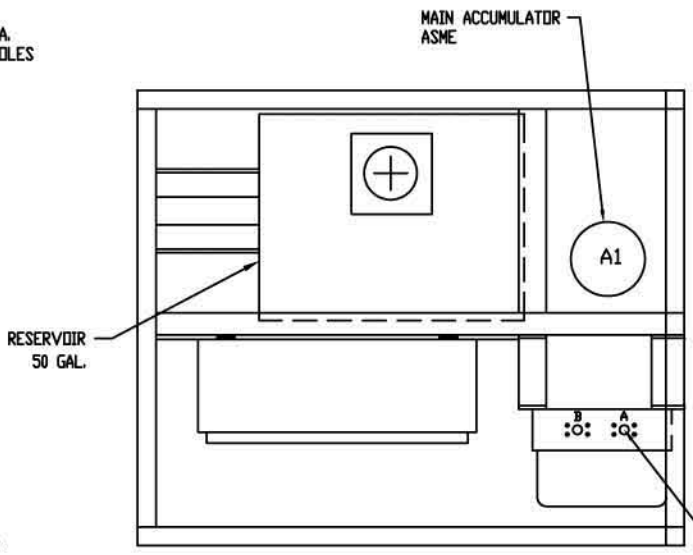


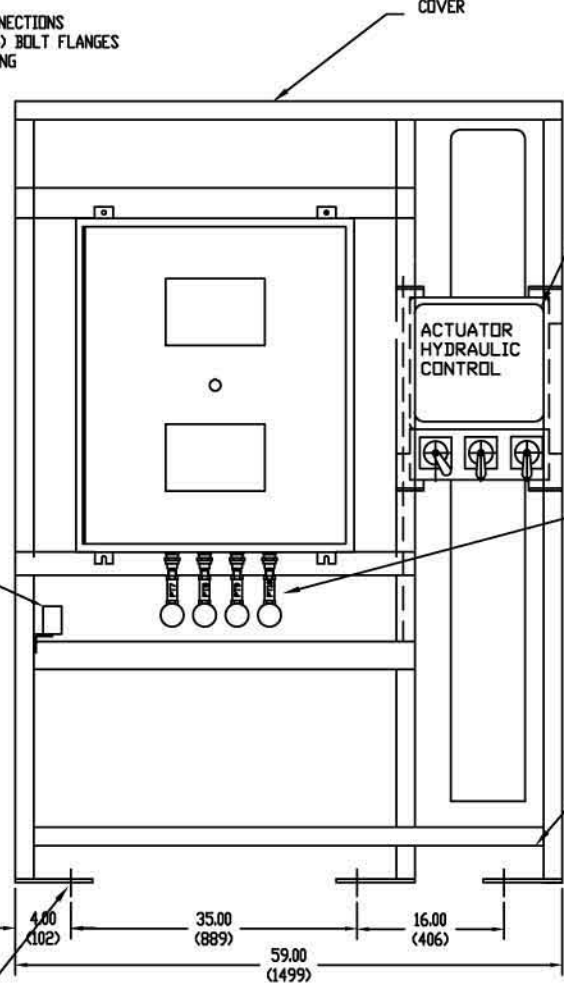
| DATE | BY | REVISION RECORD | CDW | JR | CK |
|------|----|-----------------|-----|----|----|
| | | | | | |
| | | | | | |
| | | | | | |



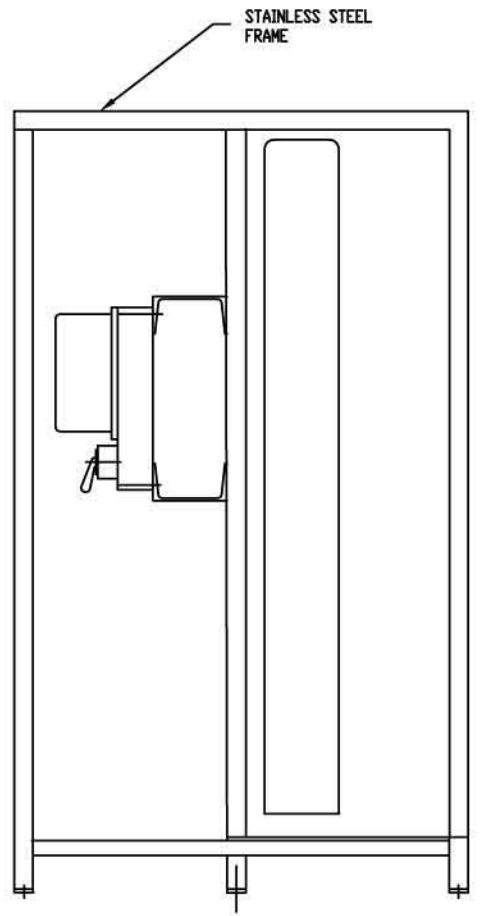
VIEW "A"
MOUNTING HOLE PATTERN



SYSTEM "A" FLUE GAS HPU



SYSTEM "B" FLUE GAS HPU



NOTES:
HYDRAULIC PRESSURE FROM
FLUE GAS PRIMARY TO SECONDARY
PRIMARY AND SECONDARY
TO BE BOLTED TOGETHER
WEIGHT APPROX. 4800 LBS (2181 KG)
DIMENSIONS IN INCHES (MM)

THIS IS AN AUTOCAD-DWG DRAWING. DO NOT REVISE MANUALLY. CAB FILE # 11814

| | | | | | | | |
|---|---------|----------------|-------------|-------------|----|----|----|
| INC., ELK GROVE, ILL. | | | | | | | |
| THIS DRAWING IS THE PROPERTY OF NEA, INC. IT IS LOANED WITH THE UNDERSTANDING THAT IT MAY NOT BE REPRODUCED OR THE INFORMATION CONTAINED HEREIN BE USED FOR THE MAKING OF DRAWINGS OR FOR MANUFACTURING PURPOSES WITHOUT THE WRITTEN CONSENT OF NEA, INC. | | | | | | | |
| TOLERANCES UNLESS AS NOTED | ±N/A | SCALE | NTS | DRAWN BY | JC | CK | RH |
| TITLE | | | | APPROVED BY | | | |
| DOUBLE-DISC FLUE GAS HPU OUTLINE | | | | MAC | | | |
| NEC CODE / UDP SPECIFICATION | | | | | | | |
| DATE | 4/24/08 | DRAWING NUMBER | DP12211-503 | REV. | 0 | | |