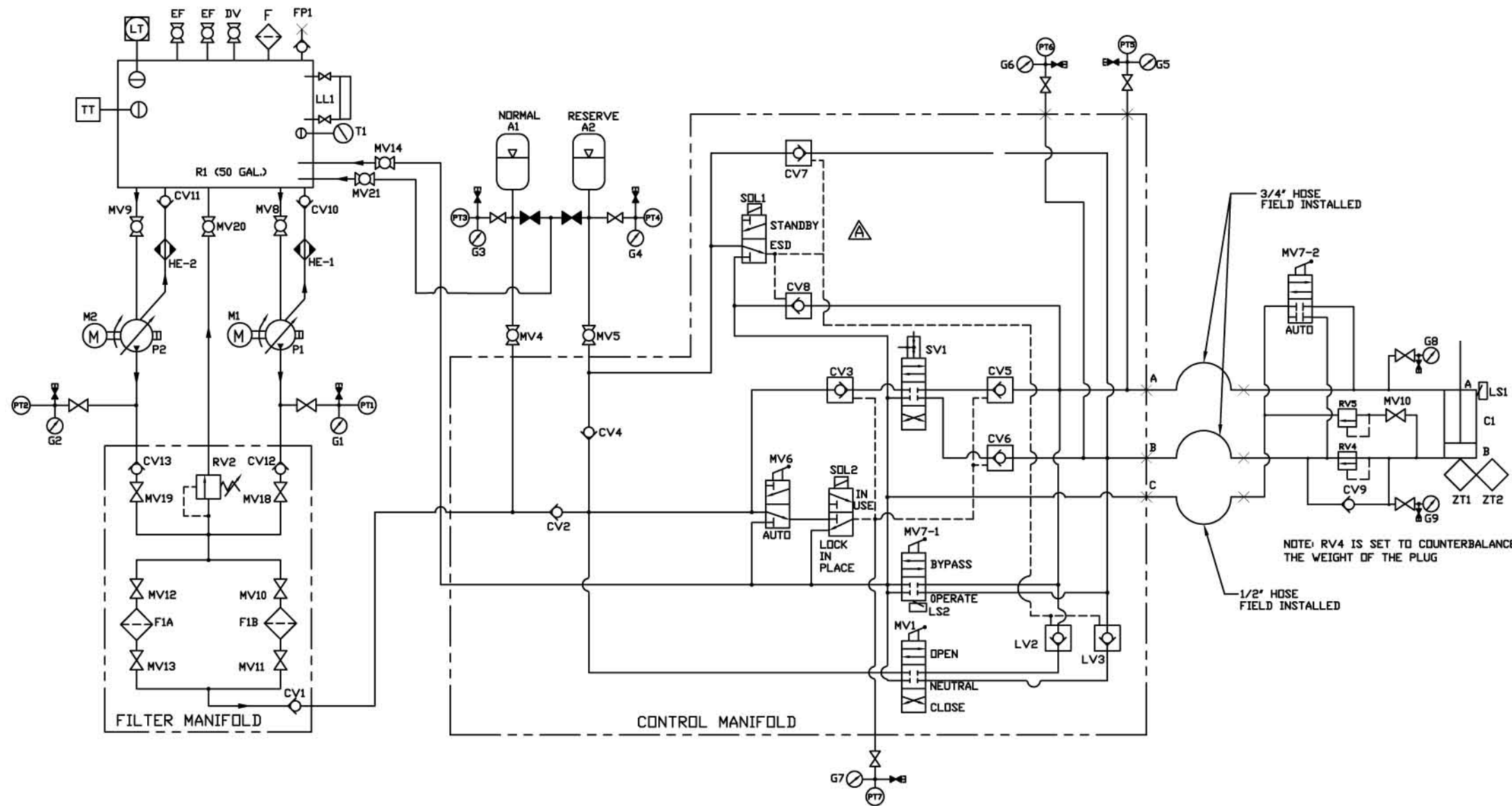


DATE	BY	REVISION RECORD	CDW	JR	CK
6/3/08	A	ADDED ESD SYSTEM.	3938	CC	MC



- LEGEND**
- ACCUMULATOR
 - FLOW CONTROL ORIFICE (FC)
 - PRESSURE GAUGE(G)
 - FILTER
 - TEMPERATURE SWITCH
 - TEMPERATURE INDICATOR
 - MOTOR OPER. PUMP
 - FILL PORT
 - LEVEL GAUGE
 - POSITION TRANSDUCER
 - CYLINDER
 - BLEED VALVE
 - DRAIN VALVE
 - RELIEF VALVE
 - CHECK VALVE (CV)
 - PILOT CHECK VALVE (CV)
 - HYDRAULIC VALVE (SOLENOID)
 - HYDRAULIC VALVE (HAND OPER.) (MV)
 - SERVO VALVE (SV)
 - HAND VALVE NORMALLY OPEN
 - HAND VALVE NORMALLY CLOSED
 - BALL VALVE
 - HYDMAIN LINE
 - HYD. PILOT LINE
 - HEAT EXCHANGER
 - PRESSURE TRANSMITTER
 - LEVEL TRANSMITTER
 - TEMPERATURE TRANSMITTER
 - LIMIT SWITCH
 - EXTERNAL FILTER CONNECTION

NOTE: RV4 IS SET TO COUNTERBALANCE THE WEIGHT OF THE PLUG

D11485-503 REF.

THIS IS AN AUTOCAD-12 DRAWING. DO NOT REVISE MANUALLY. CAB FILE # 115-40A

INC., ELK GROVE, ILL.		THIS DRAWING IS THE PROPERTY OF HEA, INC. IT IS LOANED WITH THE UNDERSTANDING THAT IT MAY NOT BE REPRODUCED NOR MAY THE INFORMATION CONTAINED HEREIN BE USED FOR THE MAKING OF DRAWINGS OR FOR MANUFACTURING PURPOSES WITHOUT THE WRITTEN CONSENT OF HEA, INC.	
		TOLERANCES UNLESS AS NOTED	SCALE NTS
TITLE HYDRAULIC SCHEMATIC (ESD) PLUG VALVES 'FCCU3-PV-1A' & 'FCCU3-PV-1B'		APPROVED BY MC	
DATE 1/28/08	DRAWING NUMBER D13150-502	REV. A	