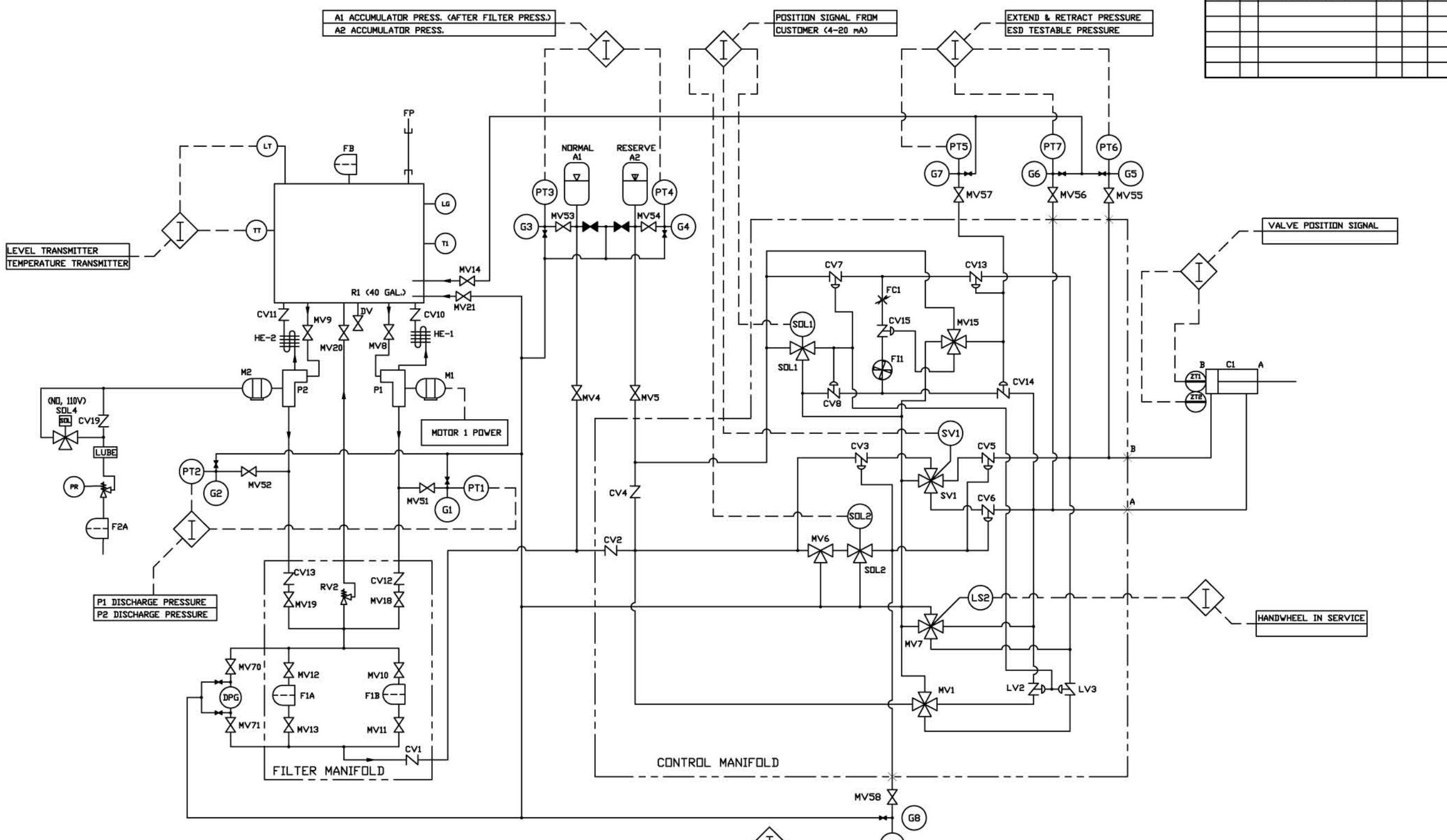


DATE	SYN	REVISION RECORD	ECN#	DR	CK



LEGEND

— PROCESS CONNECTION OR MECHANICAL LINK
 - - - ELECTRICAL SIGNAL
 — HYDRAULIC LINE

○ — INSTRUMENT LOCATED WITHIN THE HPU ASSEMBLY.
 ⊖ — INSTRUMENT LOCATED WITHIN THE ACTUATOR ASSEMBLY.
 ⎓ — M.E.A. ELECTRICAL LOGIC

□ — CUSTOMER CONNECTIONS TO THE M.E.A. PLC CONTROL ENCLOSURE.
 □ — CUSTOMER CONNECTIONS TO THE MOTORS

DESIGNATIONS:

A-ACCUMULATOR
 CV-CHECK VALVE
 DPG-DIFFERENTIAL PRESSURE GAUGE
 DV-DRAIN VALVE
 EF-EXTERNAL FILTER (BY OTHERS)
 F-FILTER
 FB-FILTER/BREATHER
 FC-FLOW CONTROL
 FI-FLOW INDICATOR
 FP-FILL PORT
 HE-HEAT EXCHANGER
 HTR-SUMP HEATER
 LG-LEVEL GAUGE
 LS-LIMIT SWITCH
 LT-LEVEL TRANSMITTER
 LV-LOGIC VALVE
 M-MOTOR
 MP-MOTOR POWER
 MV-MANUAL VALVE

P-PUMP
 PG-PRESSURE GAUGE
 PT-PRESSURE TRANSMITTER
 R-RESERVOIR
 RV-RELIEF VALVE
 SOL-SOLENOID VALVE
 SV-SERVO VALVE
 TI-TEMPERATURE INDICATOR
 TT-TEMPERATURE TRANSMITTER
 ZT-SYSTEM 'A' POSITION TRANSDUCER
 ZTB-SYSTEM 'B' POSITION TRANSDUCER

NOTES:
 1. SOLENOIDS SHOWN IN SHELF STATE.
 2. REFERENCE FIELD WIRING FOR SPECIFIC ELECTRICAL CONNECTION POINTS.
 3. LOGIC VALVES ARE TRANSPARENT WHEN NO PILOT PRESSURE IS PRESENT. IT IS OPEN TO BOTH DIRECTIONS.

THIS IS AN AUTOCAD DRAWING. DO NOT REVISE MANUALLY. CAD FILE # 11600

ME.A. INC., ELK GROVE, ILL.

THIS DRAWING IS THE PROPERTY OF M.E.A. INC. IT IS LOANED WITH THE UNDERSTANDING THAT IT MAY NOT BE REPRODUCED NOR MAY THE INFORMATION CONTAINED HEREIN BE USED FOR THE MAKING OF DRAWINGS OR FOR MANUFACTURING PURPOSES WITHOUT THE WRITTEN CONSENT OF M.E.A. INC.

TOLERANCES EXCEPT AS NOTED	±N/A	SCALE	NTS	DRAWN BY	RM	CK	MC
TITLE EXPANDER BYPASS BUTTERFLY VALVE 02-PV-218A P & I DIAGRAM				APPROVED BY		MC	
DATE	3/12/08	DRAWING NUMBER	C13253-524	REV.	0		