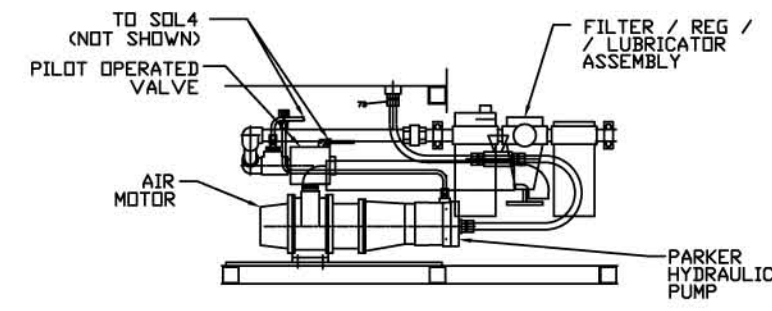
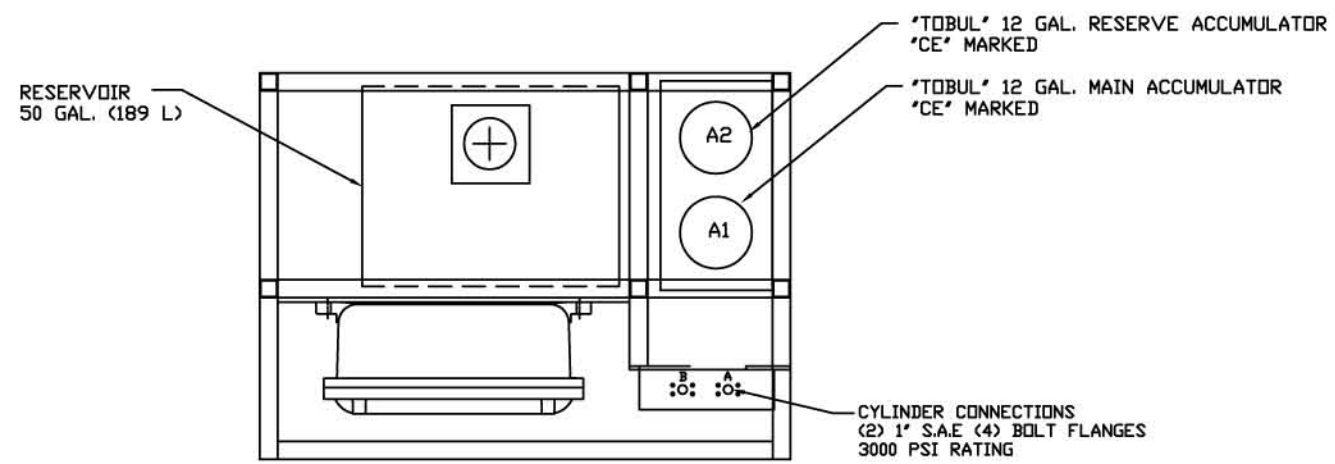
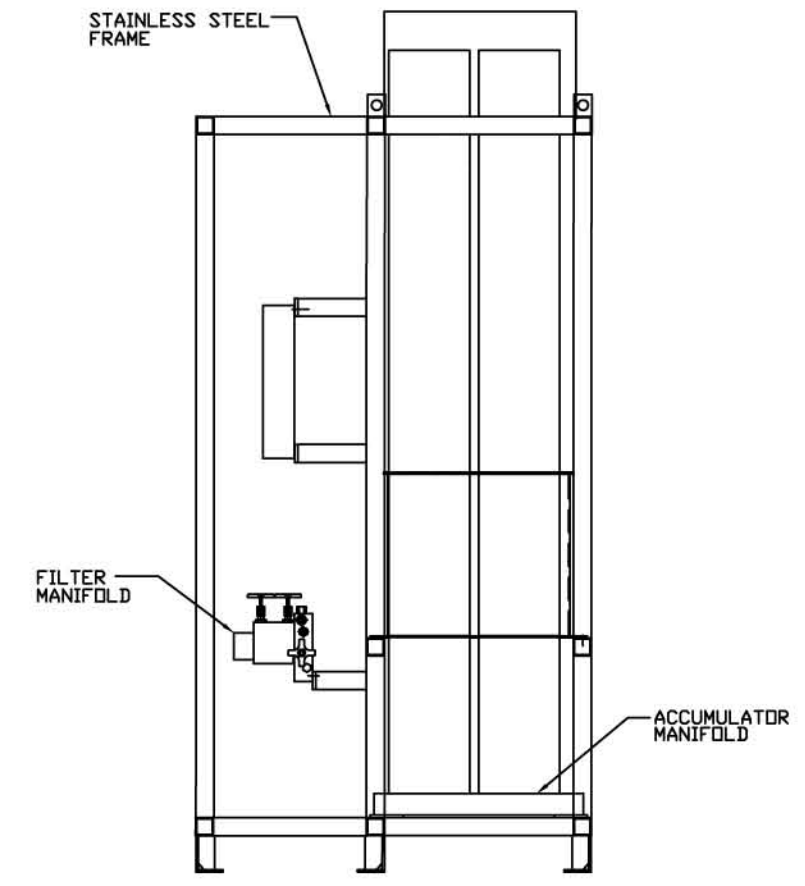
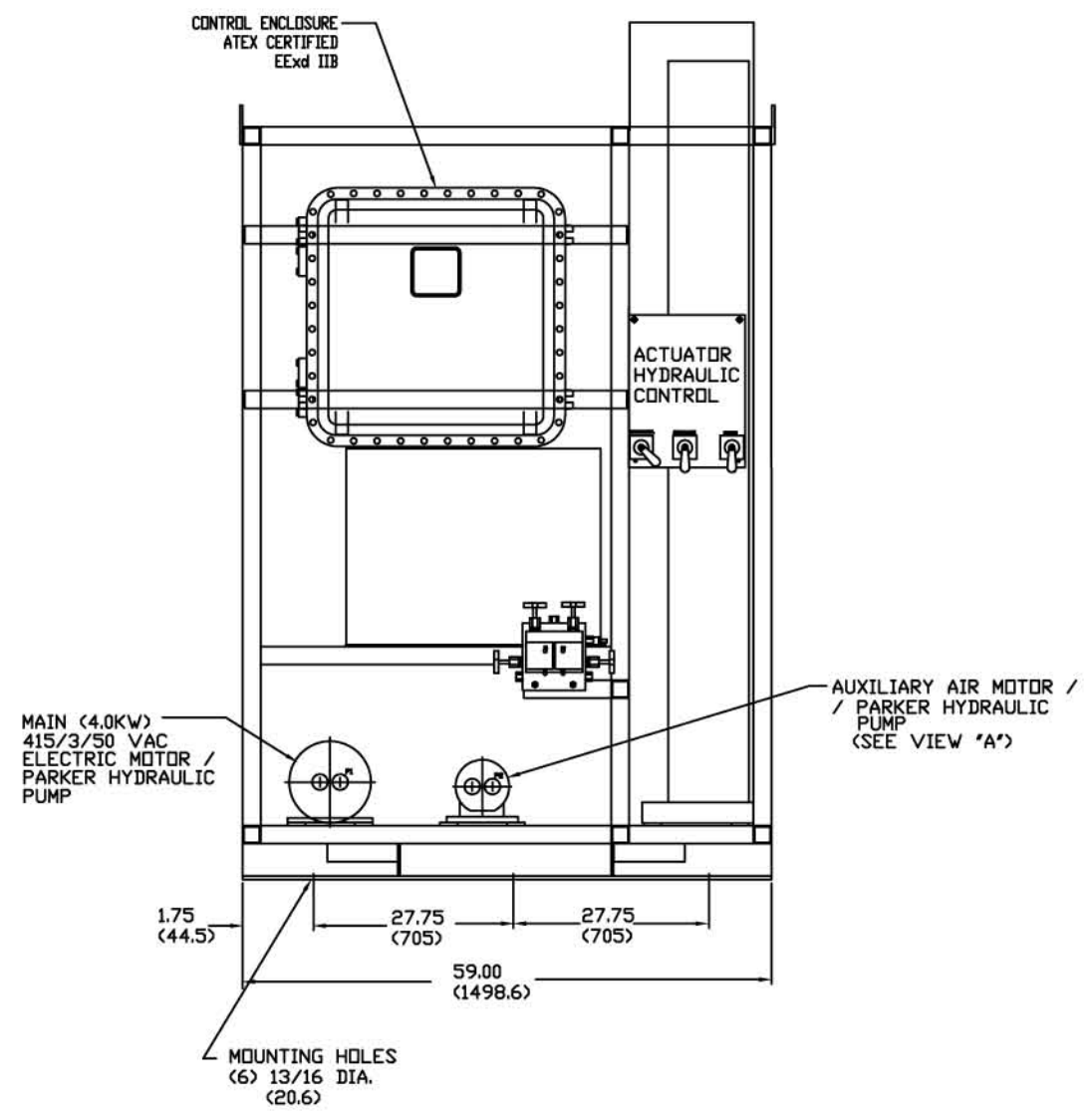
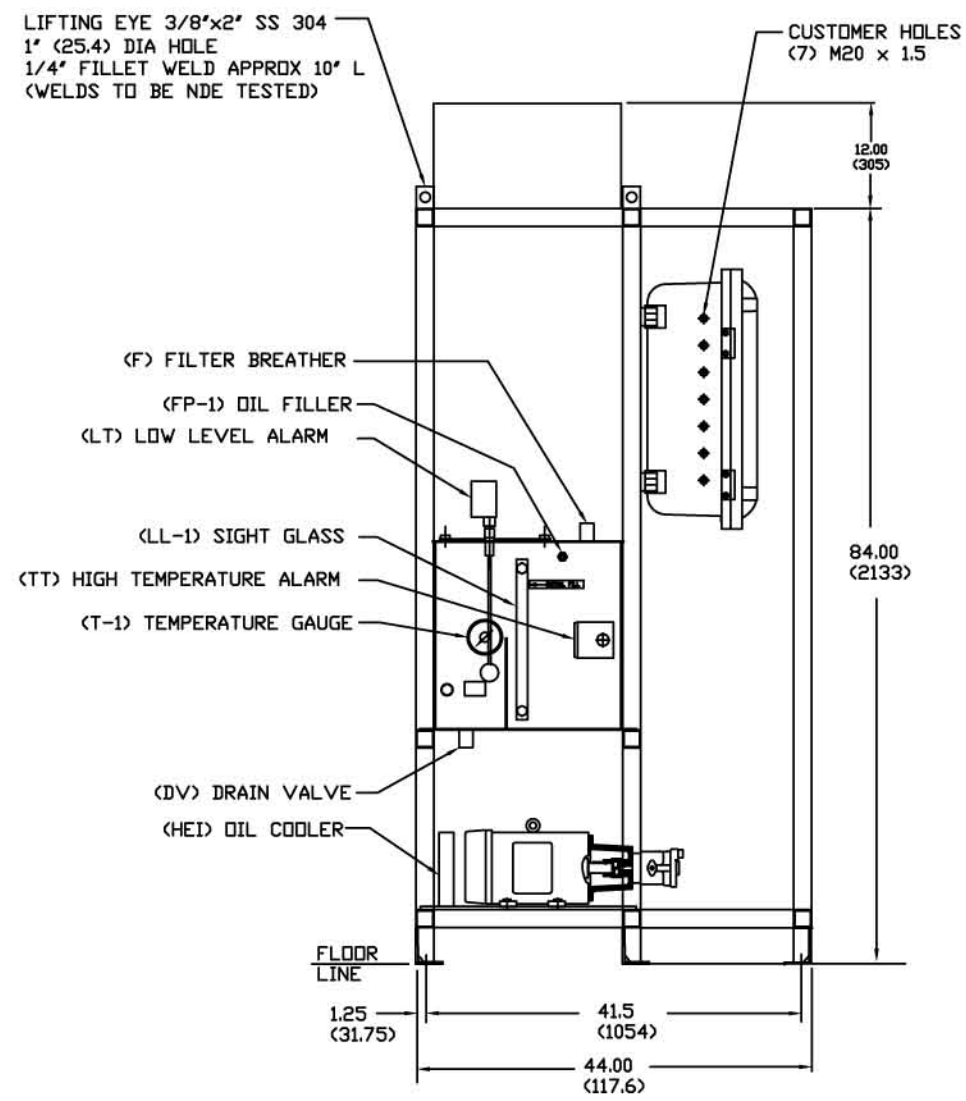


DATE	SYN	REVISION RECORD	ECN#	DR	CK



VIEW "A" OF AIR MOTOR, HYDRAULIC PUMP
AND CONTROLS



- NOTES:
1. WEIGHT APPROX: 2800 LBS. (1272 KG)
 2. DIMENSIONS IN INCHES (MM)
 3. CUSTOMER TO PROVIDE SUN SHADE & HEAT SHIELDING AS NECESSARY TO PREVENT RADIATED HEAT FROM PIPING & VESSELS.
 4. *CHEMOLUBE H SPECIAL* HYDRAULIC FLUID 50 GAL. (189 L) FURNISHED BY MEA (FIRST FILL).
 5. CONNECTING 1" DIA. PIPING FURNISHED BY CUSTOMER.

D11546-521C REF.

THIS IS AN AUTOCAD-13 DRAWING
DO NOT REVISE MANUALLY.

CAD FILE #
11581

MEGA INC., ELK GROVE, ILL.

THIS DRAWING IS THE PROPERTY OF MEA, INC. IT IS LOANED WITH THE UNDERSTANDING THAT IT MAY NOT BE REPRODUCED NOR MAY THE INFORMATION CONTAINED HEREIN BE USED FOR THE MAKING OF DRAWINGS OR FOR MANUFACTURING PURPOSES WITHOUT THE WRITTEN CONSENT OF MEA, INC.

TOLERANCES (EXCEPT AS NOTED)	SCALE	DRAWN BY	CC	CK	MC
NA	1/11				
APPROVED BY		MC			

TITLE EXPANDER INLET BUTTERFLY VALVE 02-PV-218B
HYDRAULIC POWER UNIT OUTLINE

DATE	DRAWING NUMBER	REV.
3/3/08	D13253-531	0