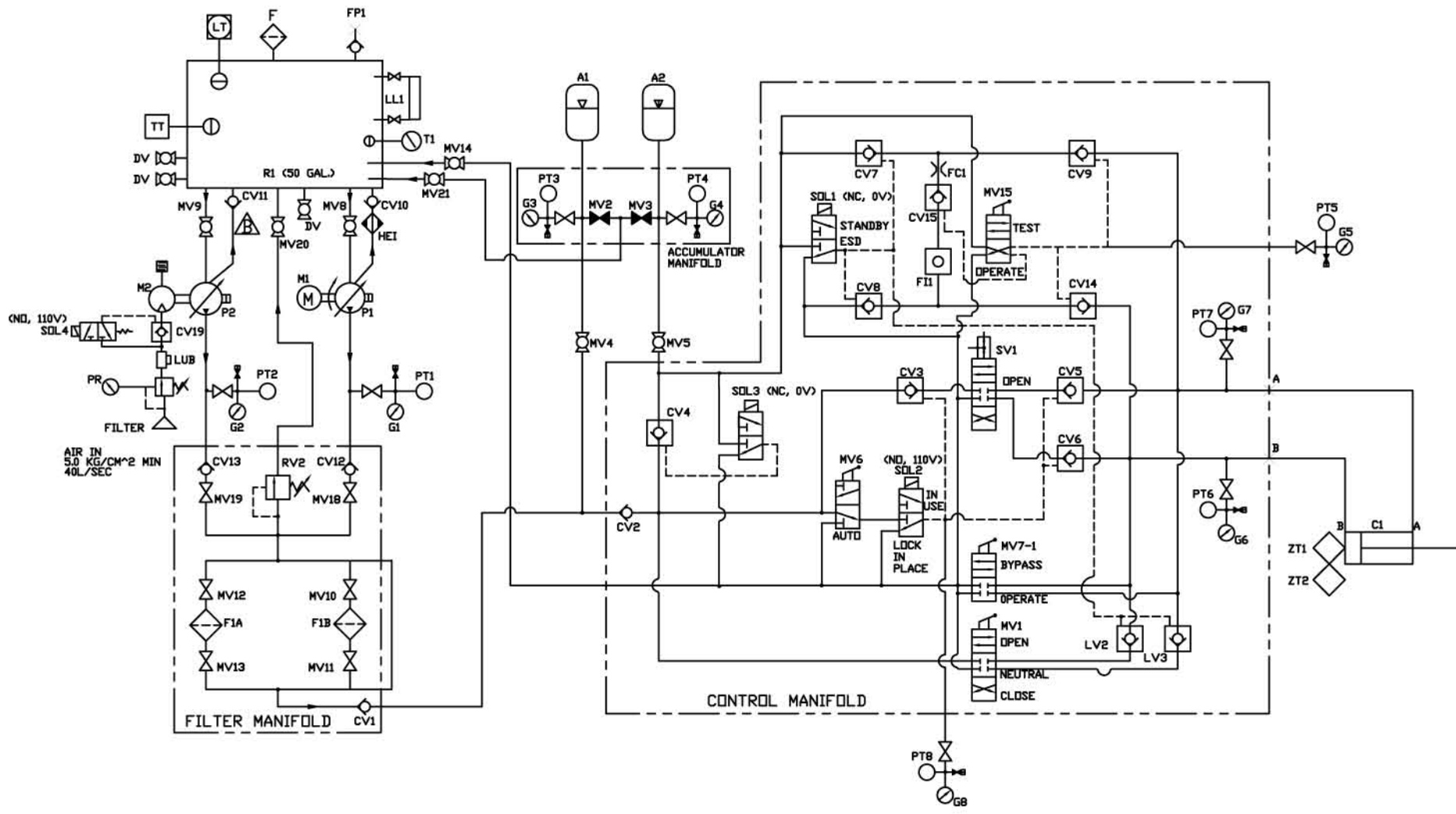


DATE	SYN	REVISION RECORD	ECN#	DR	CK
4/18/08	A	ADDED TWO DV'S TO RES.	N/A	JL	CC
6/7/08	B	REMOVED HEAT EXCHANGER - - AIR MOTOR SIDE	3935	CC	MC



- LEGEND**
- LEVEL SWITCH
 - ACCUMULATOR
 - FLOW CONTROL ORIFICE (FC)
 - PRESSURE GAUGE (G)
 - PRESSURE SWITCH
 - FILTER
 - TEMPERATURE SWITCH
 - TEMPERATURE INDICATOR
 - MOTOR OPER. PUMP
 - FILL PORT
 - LEVEL GAUGE
 - POSITION TRANSDUCER
 - CYLINDER
 - RELIEF VALVE
 - CHECK VALVE (CV)
 - PILOT CHECK VALVE (CV)
 - HYDRAULIC VALVE (SOLENOID CONTROLLED)
SOLX.NC = CLOSED, ENERGISE TO OPERATE
SOLX.NO = OPEN, ENERGISE TO CLOSE
 - HYDRAULIC VALVE (HAND OPER.) (HV)
 - SERVO VALVE (SV)
 - HAND VALVE NORMALLY OPEN
 - HAND VALVE NORMALLY CLOSED
 - BALL VALVE
 - HYDMAIN LINE
 - HYDPILOT LINE
 - PRESSURE TRANSMITTER
 - LEVEL TRANSMITTER
 - TEMPERATURE TRANSMITTER
 - HEAT EXCHANGER

SOLENOIDS SHOWN IN SHELF STATE

C11546-510C REF.

THIS IS AN AUTOCAD DRAWING. DO NOT REVISE MANUALLY. CAD FILE # 11578B

M.E.A. INC., ELK GROVE, ILL.							
THIS DRAWING IS THE PROPERTY OF M.E.A. INC. IT IS LOANED WITH THE UNDERSTANDING THAT IT MAY NOT BE REPRODUCED NOR MAY THE INFORMATION CONTAINED HEREIN BE USED FOR THE MAKING OF DRAWINGS OR FOR MANUFACTURING PURPOSES WITHOUT THE WRITTEN CONSENT OF M.E.A. INC.							
TOLERANCES EXCEPT AS NOTED	±N/A	SCALE	NTS	DRAWN BY	CC	CK	MC
TITLE				EXPANDER BYPASS BUTTERFLY VALVE 02-PV-218A HYDRAULIC SCHEMATIC			
DATE	3/3/08	DRAWING NUMBER	C13253-522	REV.	B		