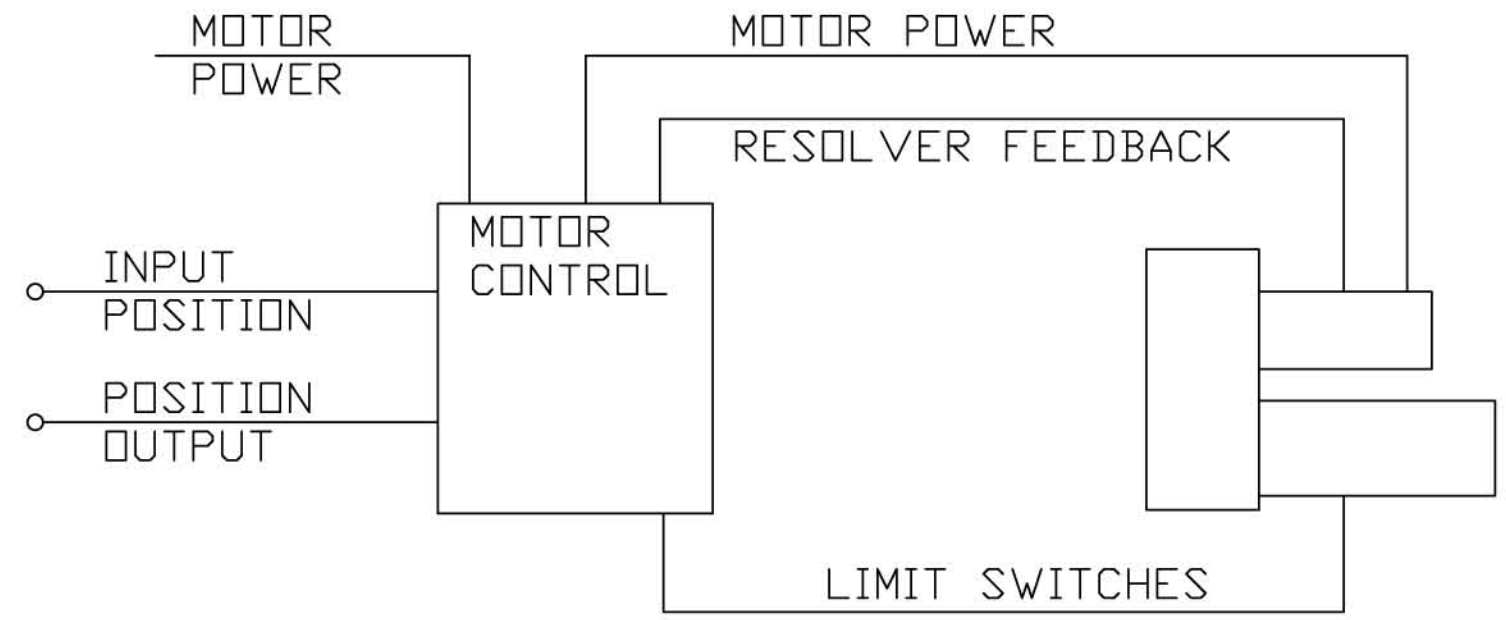


DATE	SYM	REVISION RECORD	AUTH	DR	CK



THIS IS AN AUTOCAD-13 DRAWING.  
DO NOT REVISE MANUALLY.

CAD FILE #  
006258

M.E.A. INC. ELK GROVE, ILL.

THIS DRAWING IS THE PROPERTY OF M.E.A. INC. IT IS LOANED WITH THE UNDER-  
STANDING THAT IT MAY NOT BE REPRODUCED NOR MAY THE INFORMATION CONTAINED  
HEREIN BE USED FOR THE MAKING OF DRAWINGS OR FOR MANUFACTURING PURPOSES  
WITHOUT THE WRITTEN CONSENT OF M.E.A. INC.

TOLERANCES (EXCEPT AS NOTED)	SCALE	DRAWN BY IM	CK
		APPROVED BY	

TITLE  
ELECTRIC ACTUATOR WIRING

DATE  
08/09/96

DRAWING NUMBER  
AP206-27-5

CP206-29-1-REF.