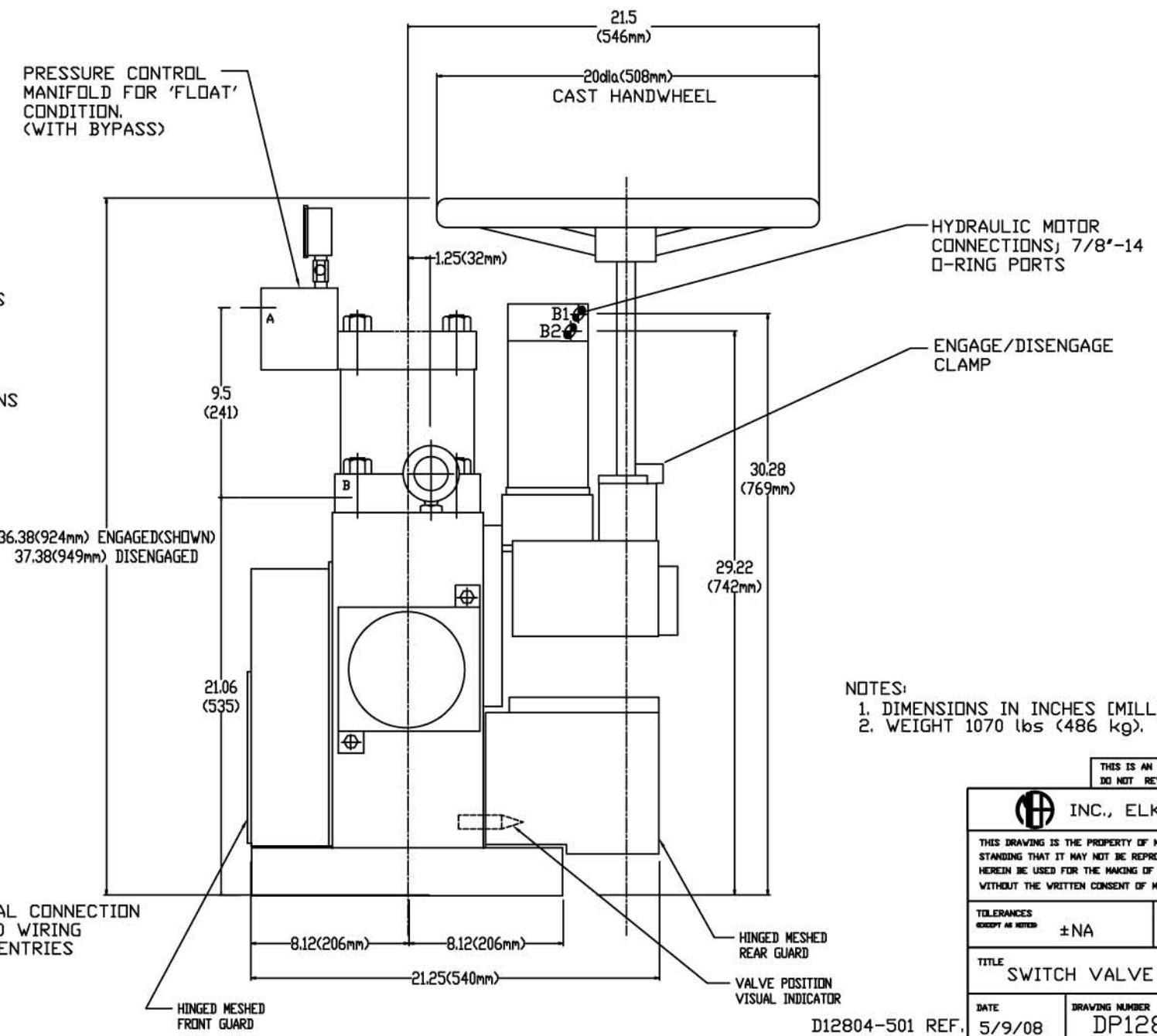
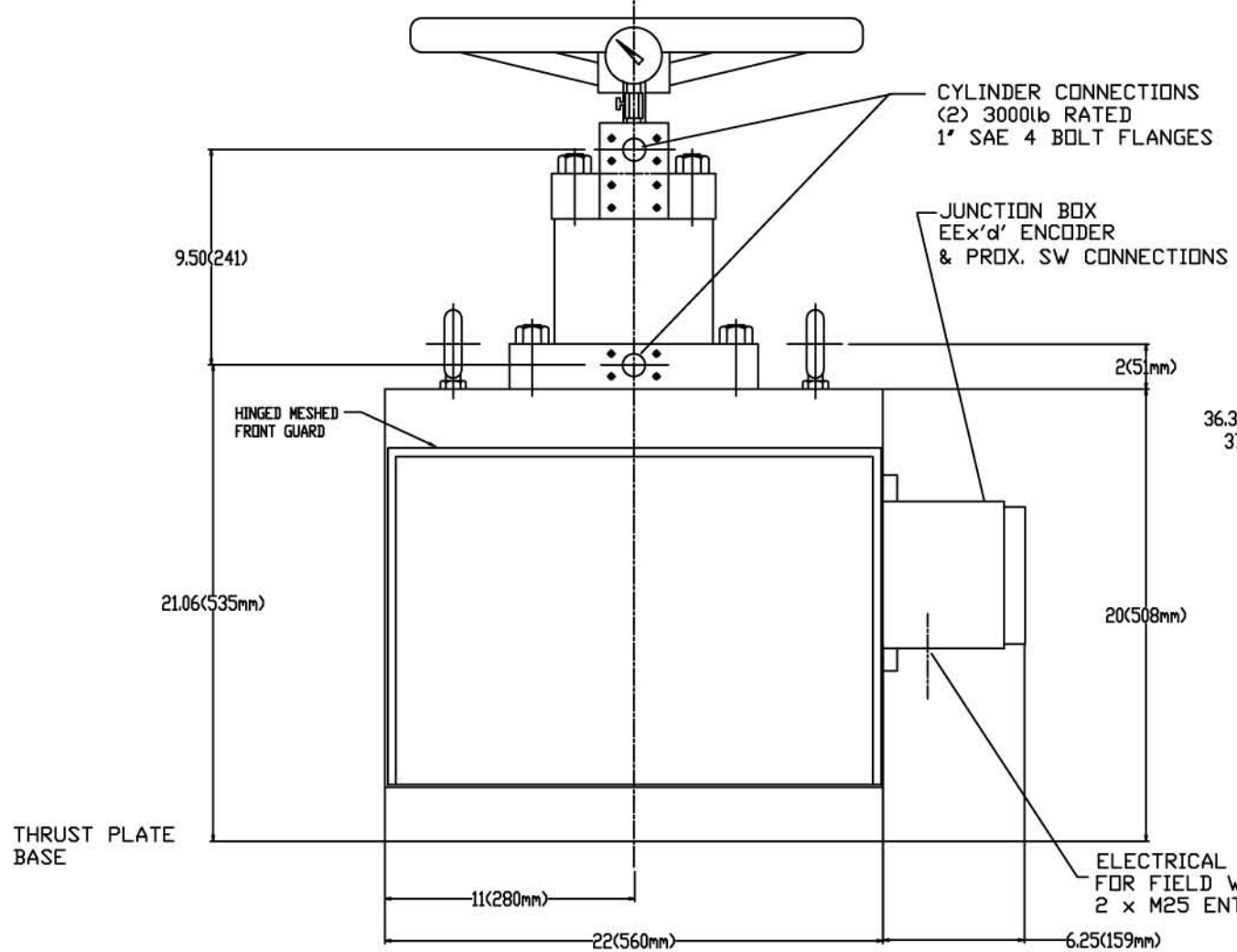
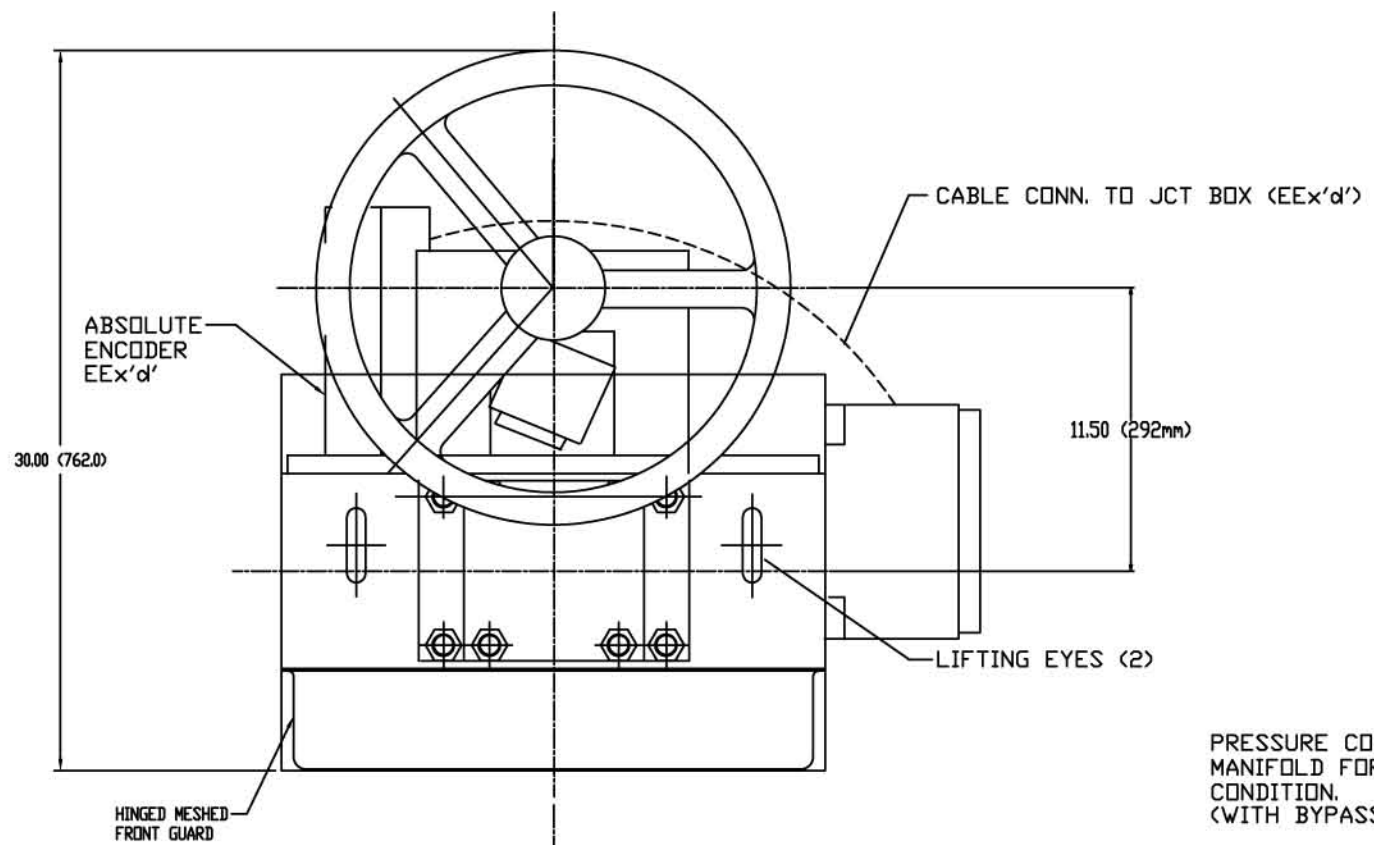


DATE	SYN	REVISION RECORD	ECN#	DR	CK



NOTES:
 1. DIMENSIONS IN INCHES [MILLIMETERS].
 2. WEIGHT 1070 lbs (486 kg).

THIS IS AN AUTOCAD-13 DRAWING. DO NOT REVISE MANUALLY. CAD FILE # 11845

MECA, INC., ELK GROVE, ILL.

THIS DRAWING IS THE PROPERTY OF MECA, INC. IT IS LOANED WITH THE UNDERSTANDING THAT IT MAY NOT BE REPRODUCED NOR MAY THE INFORMATION CONTAINED HEREIN BE USED FOR THE MAKING OF DRAWINGS OR FOR MANUFACTURING PURPOSES WITHOUT THE WRITTEN CONSENT OF MECA, INC.

TOLERANCES EXCEPT AS NOTED	±NA	SCALE	1:4	DRAWN BY	MC	CK	RM
TITLE				APPROVED BY			
SWITCH VALVE ACTUATOR OUTLINE				MAC			

DATE: 5/9/08 DRAWING NUMBER: DP12804-501 SHT. 1 OF 3 REV. 0