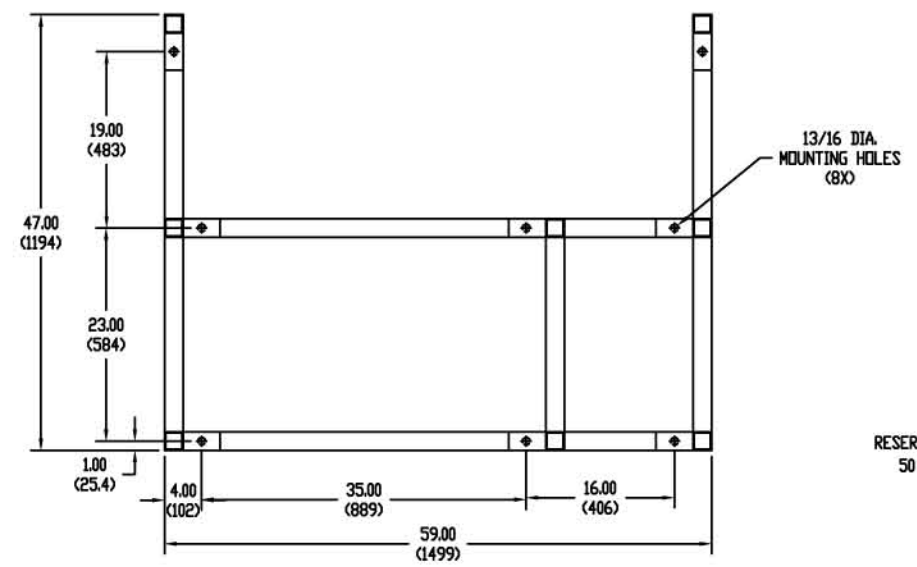
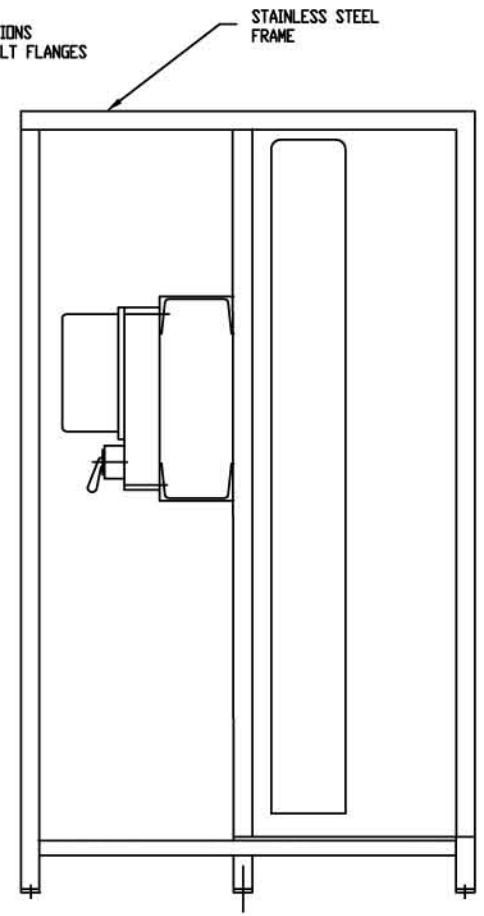
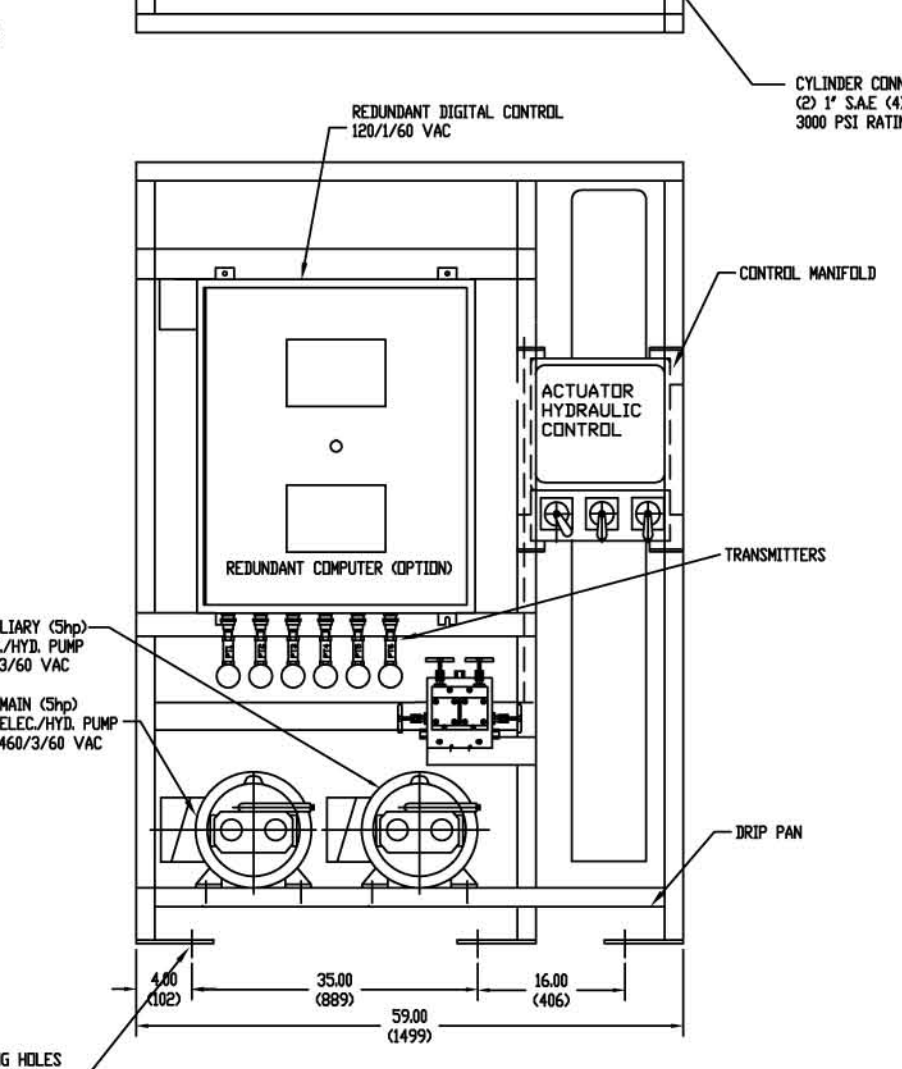
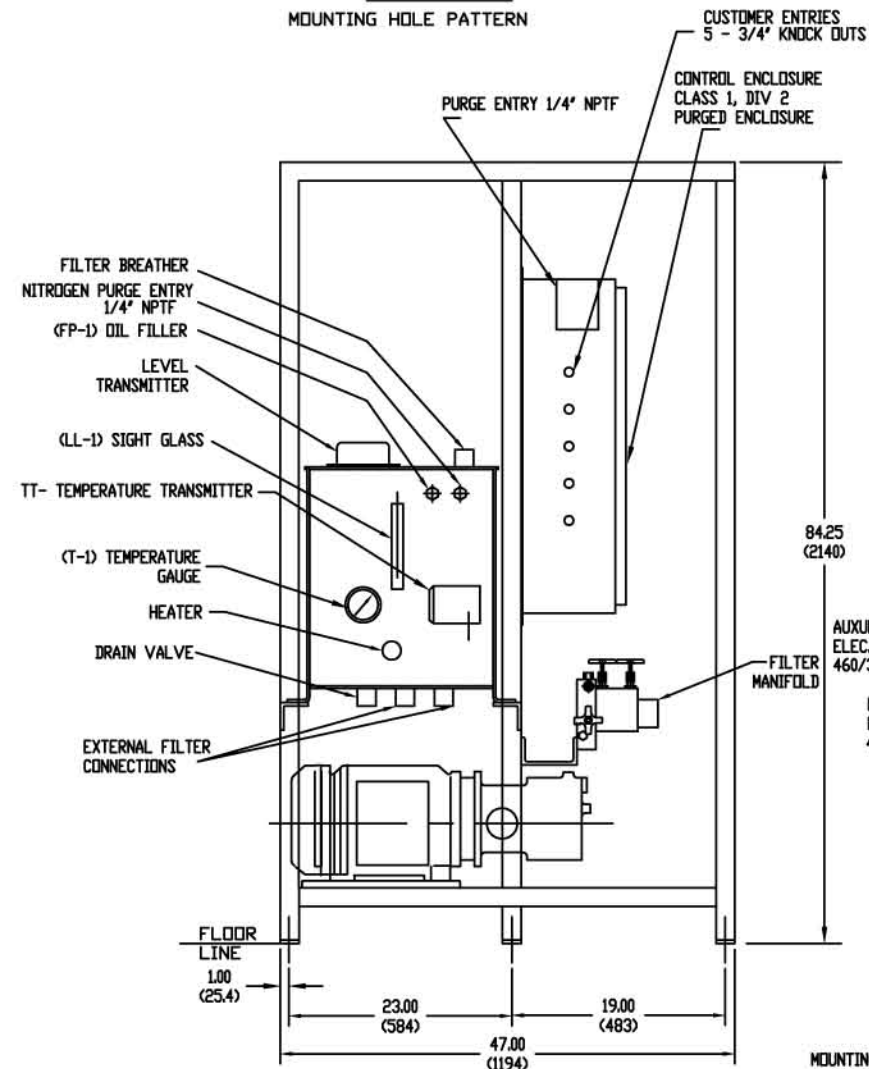
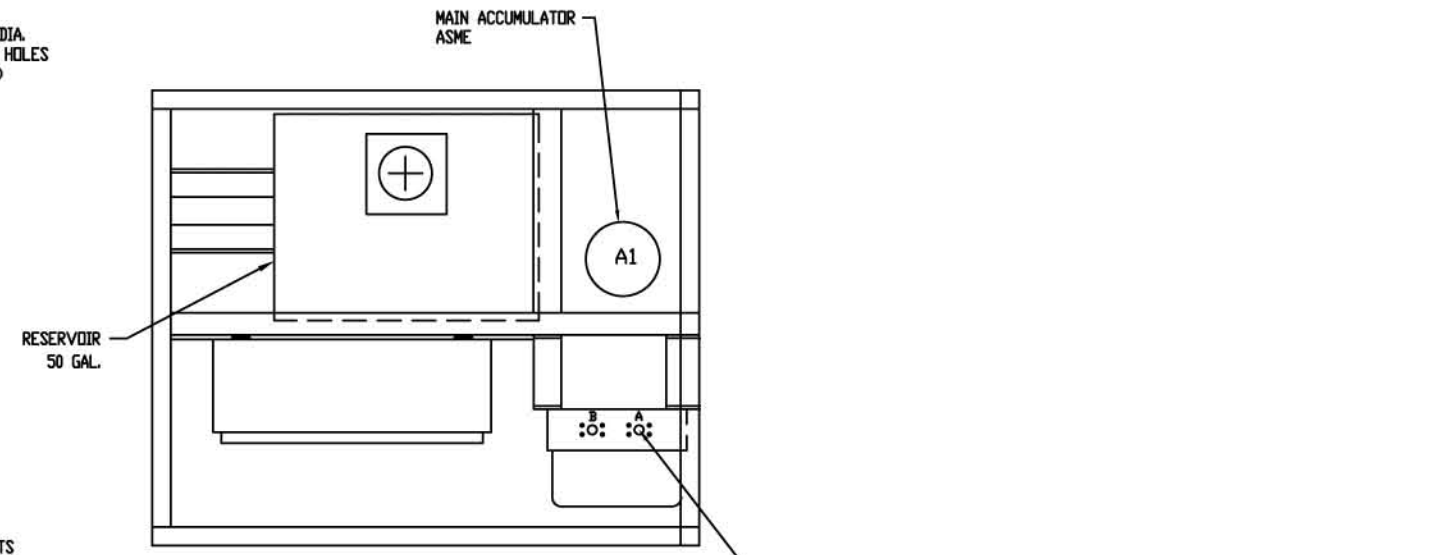


DATE	BY	REVISION RECORD	CDW	JR	CK



VIEW "A"
MOUNTING HOLE PATTERN



NOTES:
FOR SALES PURPOSES ONLY
DIMENSIONS IN INCHES (MM)

THIS IS AN AUTOCAD-DWG DRAWING. DO NOT REVISE MANUALLY. CAB FILE # 022807-SALES

INC., ELK GROVE, ILL.	
<small>THIS DRAWING IS THE PROPERTY OF NEA, INC. IT IS LOANED WITH THE UNDERSTANDING THAT IT MAY NOT BE REPRODUCED NOR MAY THE INFORMATION CONTAINED HEREIN BE USED FOR THE MAKING OF DRAWINGS OR FOR MANUFACTURING PURPOSES WITHOUT THE WRITTEN CONSENT OF NEA, INC.</small>	
TOLERANCES UNLESS OTHERWISE SPECIFIED	±N/A
SCALE	NTS
DRAWN BY	MC
APPROVED BY	MC
TITLE: INSTALLATION OUTLINE-HPU	
DATE	REV.
2/28/07	0