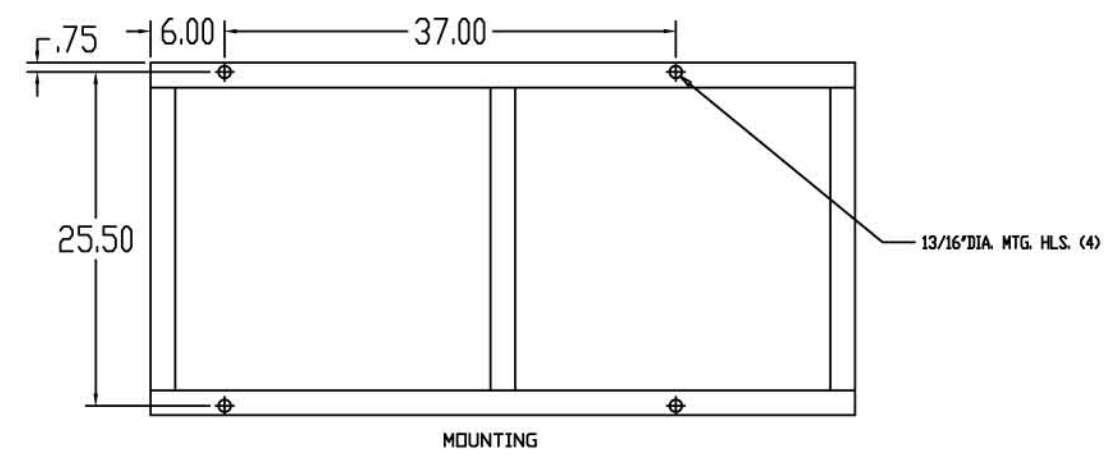
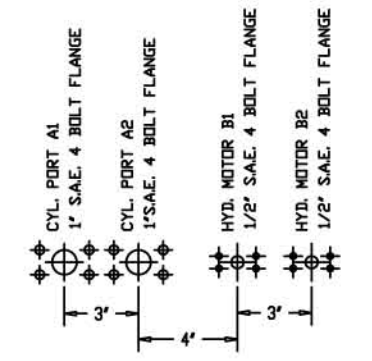
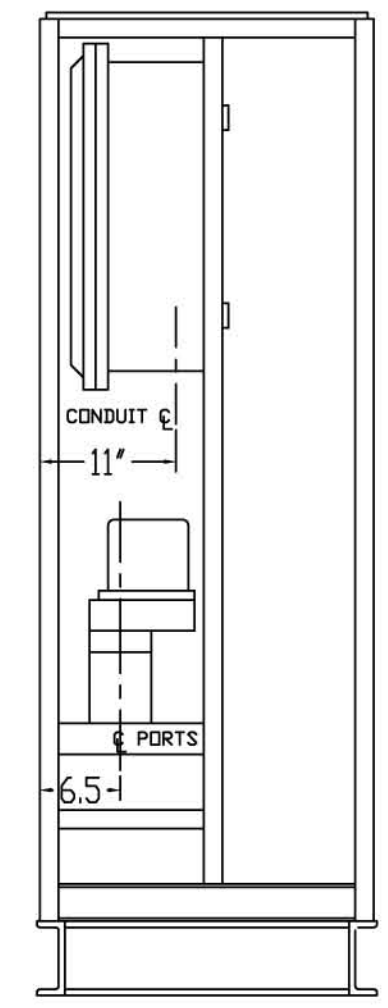
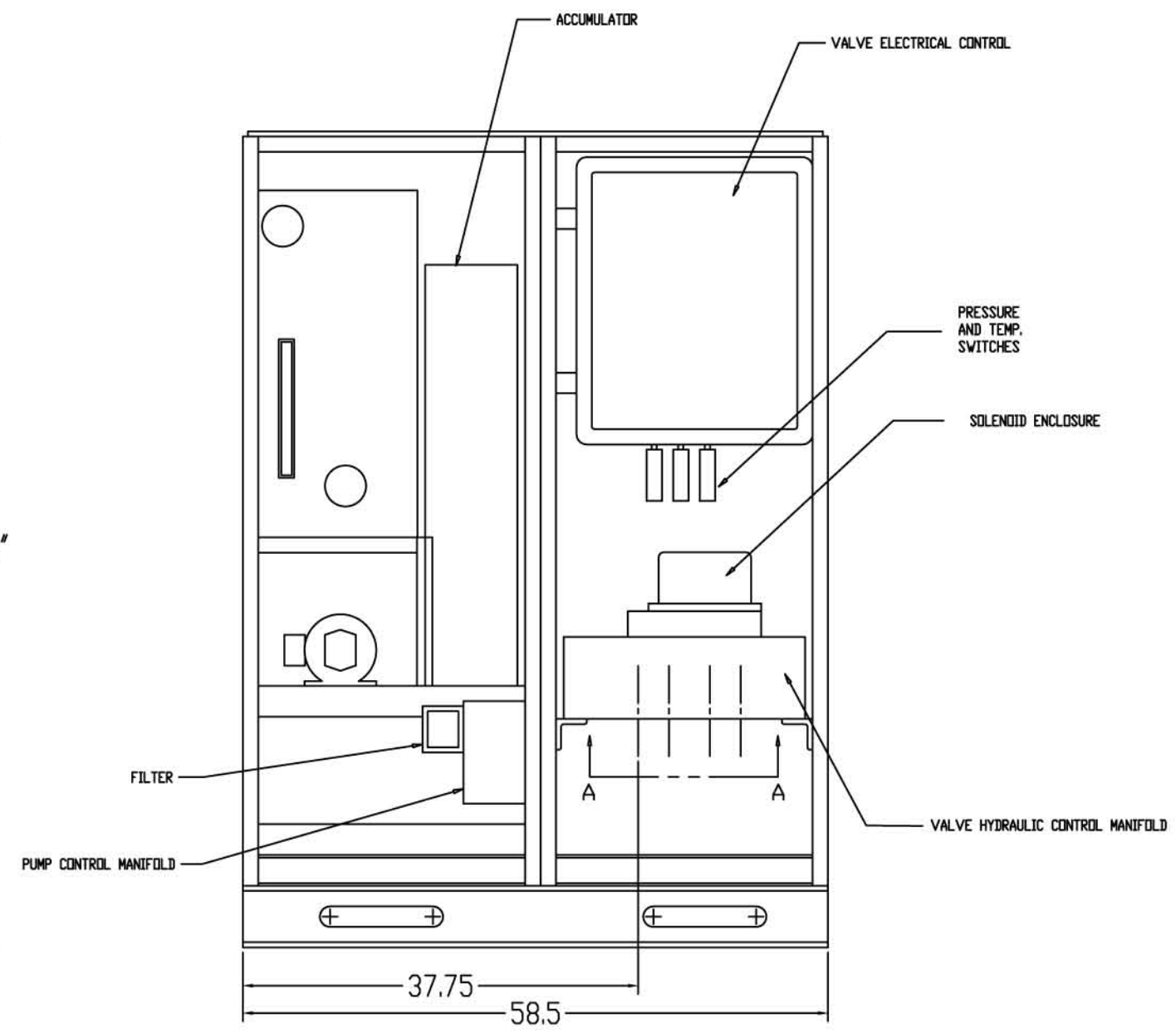
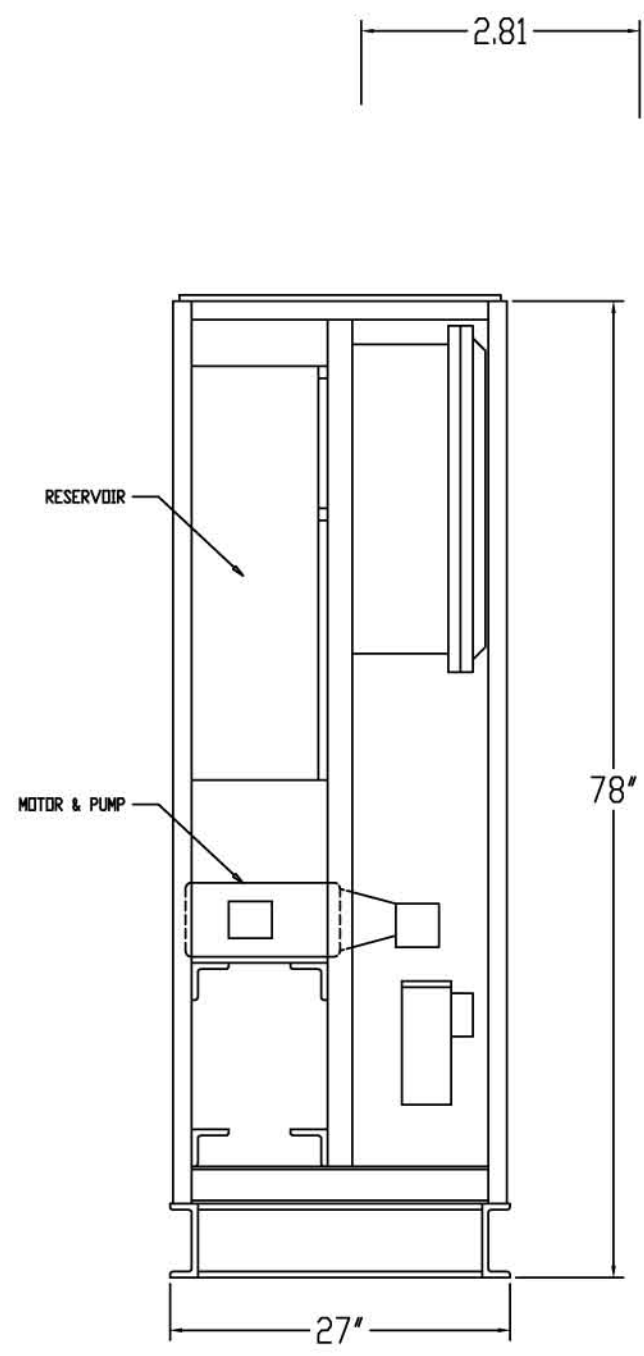


DATE	BY	REVISION RECORD	EDW	BR	CK



WEIGHT 1600 LBS

THIS IS AN AUTOCAD-13 DRAWING
DO NOT REVISE MANUALLY. CAD FILE # 11852

INC., ELK GROVE, ILL.

THIS DRAWING IS THE PROPERTY OF HEA, INC. IT IS LOANED WITH THE UNDERSTANDING THAT IT MAY NOT BE REPRODUCED NOR MAY THE INFORMATION CONTAINED HEREIN BE USED FOR THE MAKING OF DRAWINGS OR FOR MANUFACTURING PURPOSES WITHOUT THE WRITTEN CONSENT OF HEA, INC.

TOLERANCES UNLESS AS NOTED	±N/A	SCALE N/A	DRAWN BY HC	CK RH
TITLE HPU OUTLINE			APPROVED BY MAC	
DATE 5-8-08	DRAWING NUMBER DP11816-500	REV. 0		

D11815-500 REF.