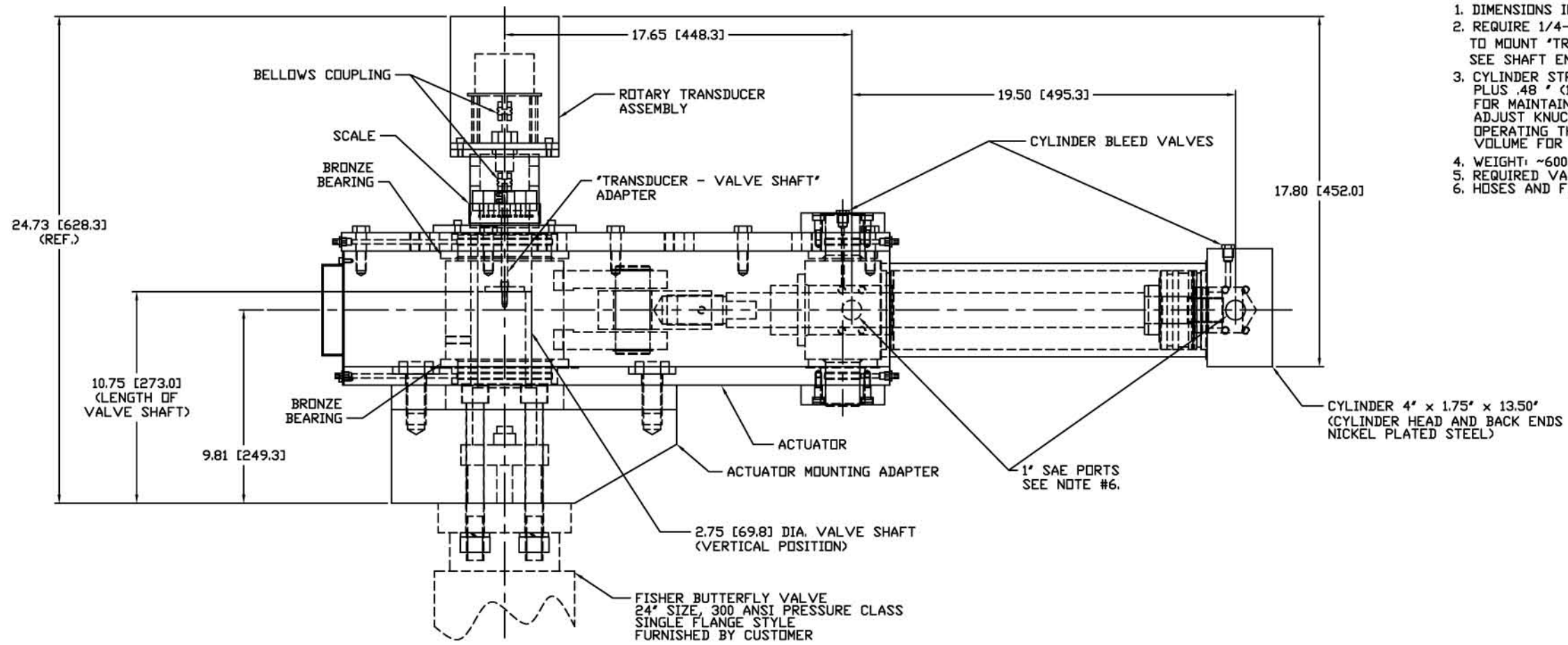
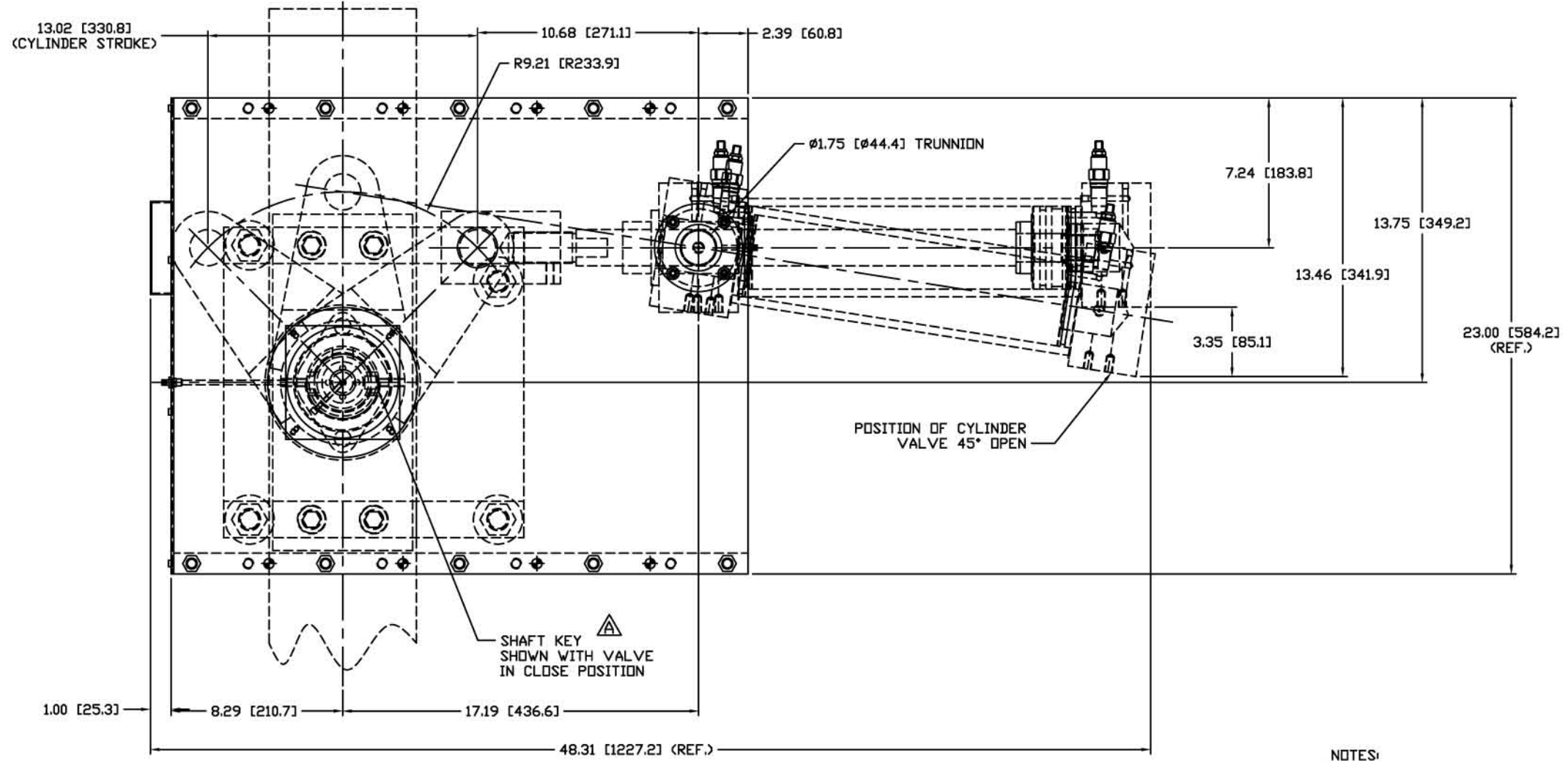
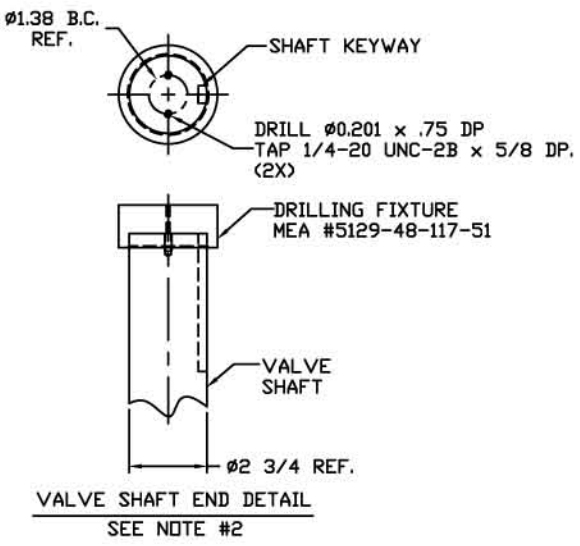


DATE	BY	REVISION RECORD	EDW	DR	CK
9/17/07	A	ISSUE FOR VALVE WITH BODY KEY IN THE BODY	3796	CC	MC



- NOTES:
1. DIMENSIONS IN INCHES (MILLIMETERS).
  2. REQUIRE 1/4-20 UNC-2B HOLES ON THE END OF SHAFT TO MOUNT "TRANSDUCER - VALVE SHAFT ADAPTER". SEE SHAFT END DETAIL.
  3. CYLINDER STROKE PROVIDES 90° ROTATION PLUS .48" (12.2 MM) ADDITIONAL STROKE TO ALLOW FOR MAINTAINING CLOSE PRESSURE. ADJUST KNUCKLE ACCORDINGLY. OPERATING THRUST 9980 LB. VOLUME FOR 13.02 STROKE - 132.3 CU. IN. (2.17 LITER)
  4. WEIGHT: ~600 LB. (272.4 KG.) - ACTUATOR AND ADAPTER ONLY.
  5. REQUIRED VALVE OPERATING TORQUE: 20,000 LBS. IN.
  6. HOSES AND FLANGES FURNISHED BY CUSTOMER.

D12110-502A REF.

THIS IS AN AUTOCAD-DWG DRAWING. DO NOT REVISE MANUALLY. CAB FILE # 11235A

INC., ELK GROVE, ILL.

THIS DRAWING IS THE PROPERTY OF MEA, INC. IT IS LOANED WITH THE UNDERSTANDING THAT IT MAY NOT BE REPRODUCED OR THE INFORMATION CONTAINED HEREIN BE USED FOR THE MAKING OF DRAWINGS OR FOR MANUFACTURING PURPOSES WITHOUT THE WRITTEN CONSENT OF MEA, INC.

TOLERANCES SHOWN AS NOTED	SCALE ±N/A	DRAWN BY CC	CK MC
	1:3.5	APPROVED BY MC	

TITLE ACTUATOR OUTLINE

DATE 2/22/07	DRAWING NUMBER D12948-505	REV. A
--------------	---------------------------	--------