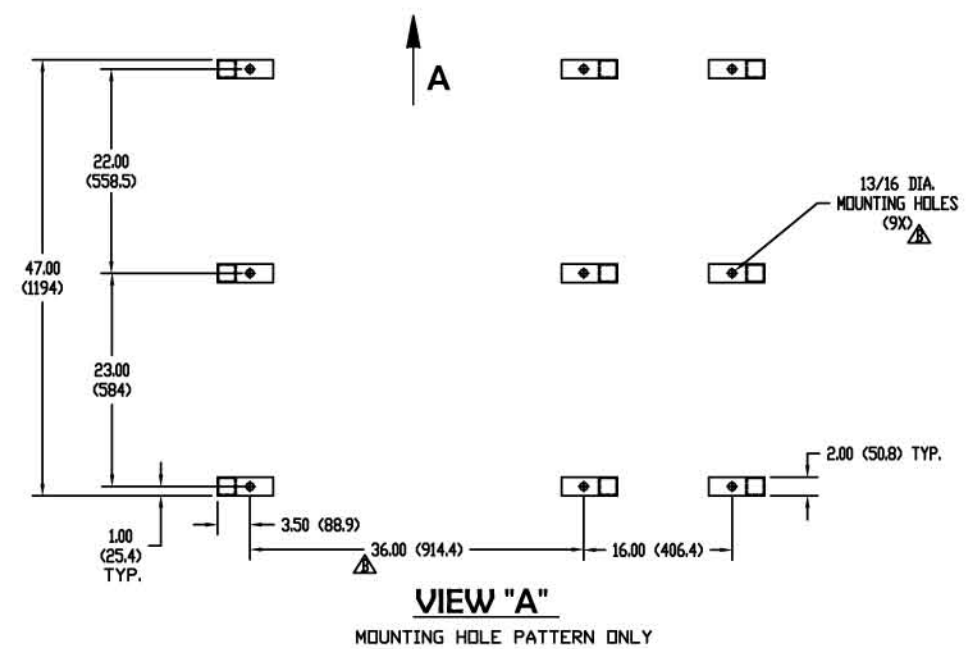
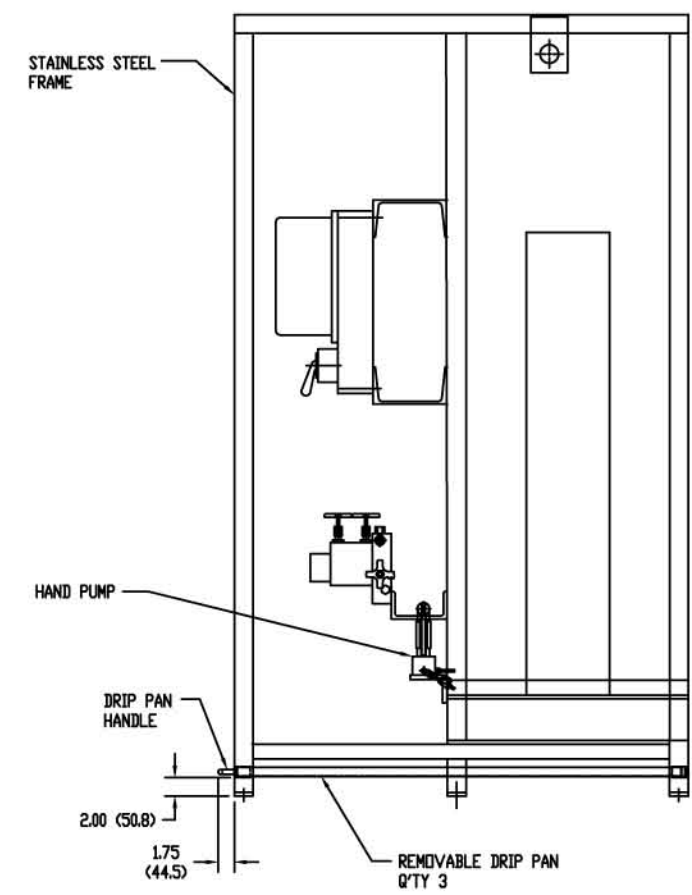
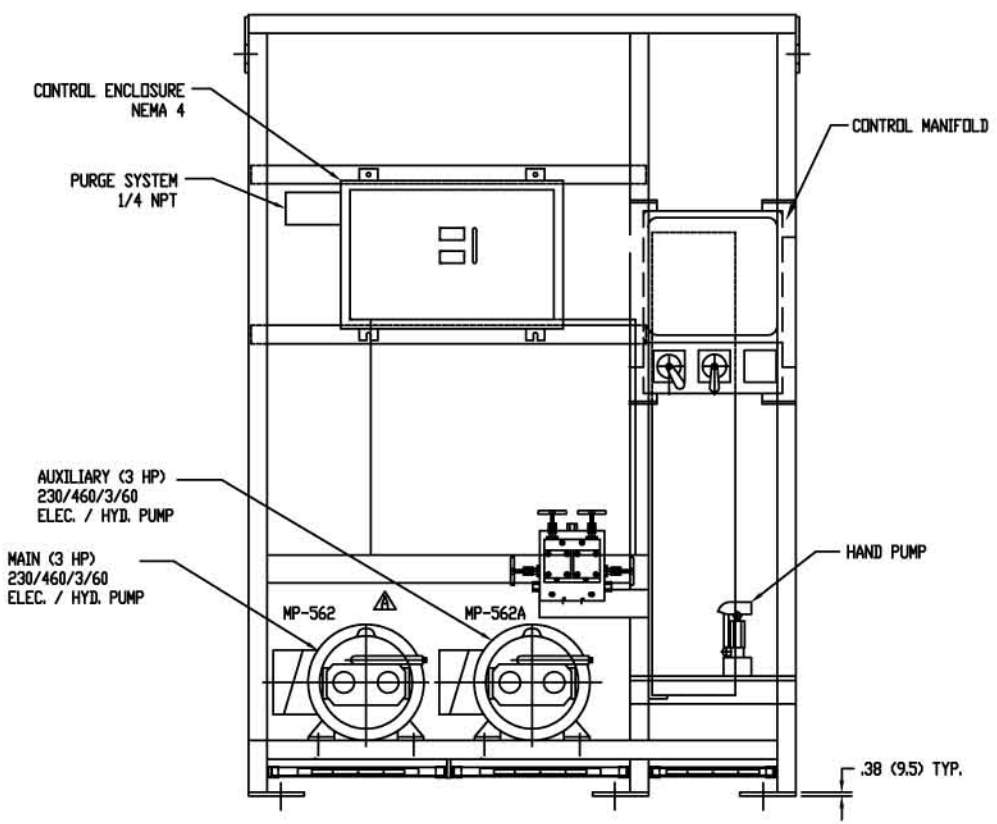
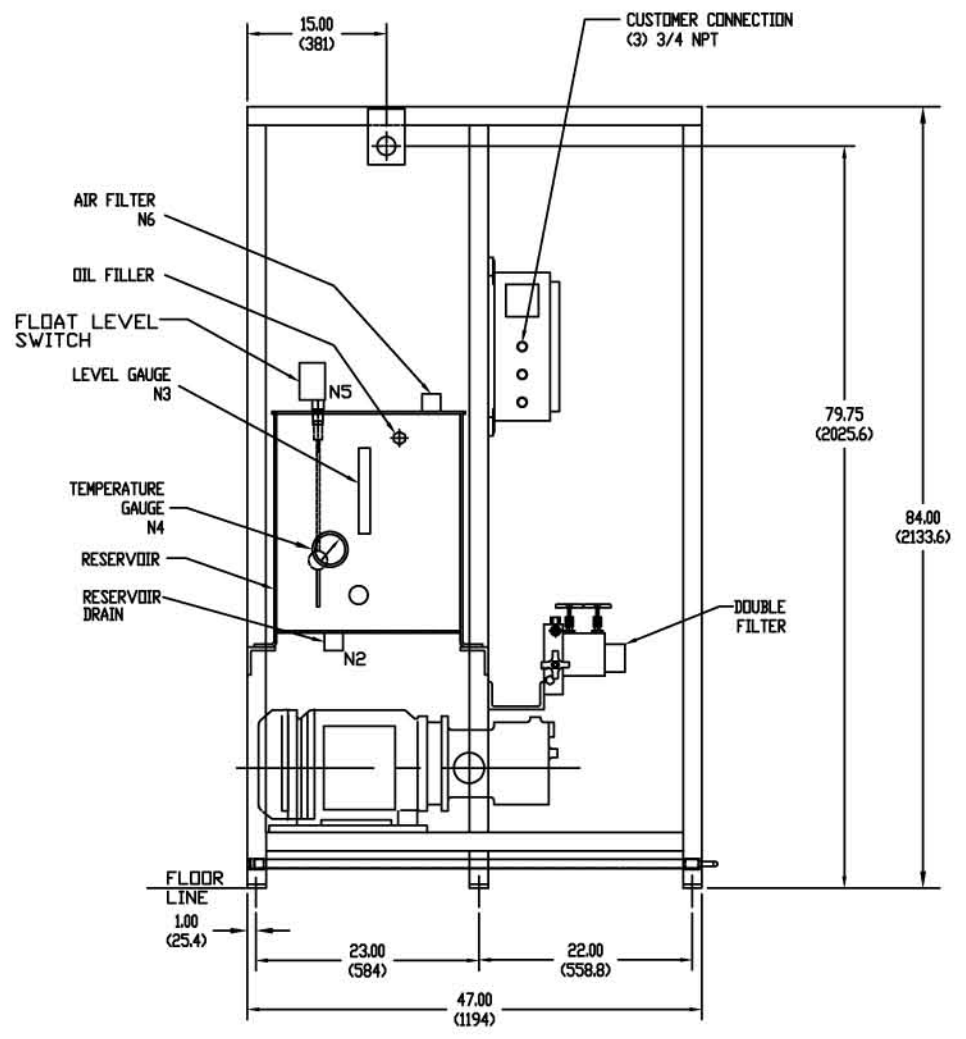
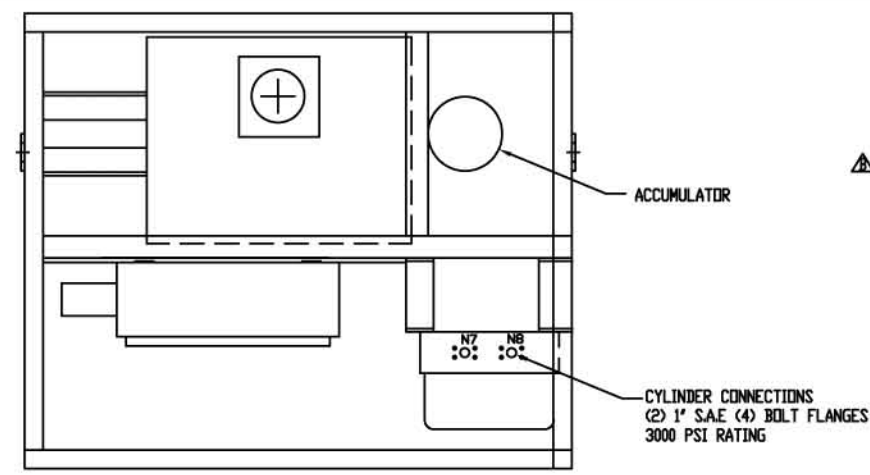


DATE	BY	REVISION RECORD	ECN#	DR	CK
5/20/97	A	ADDED CUSTOMER MOTOR TAG NUMBERS	5700	MC	MC
5/17/97	B	REVISED TO ADD TAG NUMBERS TO ALL PARTS REMOVED IN MARK FROM INSTR. EQUIP.	5700	CC	MC

MARK	QTY	SIZE	TYPE	VENDOR LABEL	INSTR. TAG #	EQUIP. BY	DESCRIPTION	REMARKS
N2	1	3/4	NPT	DRAIN		VENDOR	RESERVOIR DRAIN	LOCATED ON RESERVOIR
N3	1	1/4	NPT	LEVEL GAUGE		VENDOR	RESERVOIR LEVEL GAUGE	LOCATED ON RESERVOIR
N4	1	1/2	NPT	THERMOWELL		VENDOR	THERMOWELL	LOCATED ON RESERVOIR
N5	1	1/2	NPT	FLOAT LEVEL SWITCH		VENDOR	FLOAT LEVEL SWITCH	LOCATED ON RESERVOIR
N6	1	3/4	NPT	AIR FILTER		VENDOR	AIR FILTER	LOCATED ON RESERVOIR
N7	1	1	SAE	CYLINDER EXTENDED		VENDOR	FLANGE	LOCATED ON MANIFOLD
N8	1	1	SAE	CYLINDER RETRACTED		VENDOR	FLANGE	LOCATED ON MANIFOLD



NOTES:
1. INTERNAL HYDRAULIC PIPING AND ELECTRIC WIRING IN FRAME BY VENDOR.

APPROXIMATE WEIGHT: 1500 LBS. (681 KG)
DIMENSIONS IN INCHES (MM)

THIS IS AN AUTOCAD-DWG DRAWING. DO NOT REVISE MANUALLY. CAB FILE # 11201B

INC., ELK GROVE, ILL.

THIS DRAWING IS THE PROPERTY OF H&A, INC. IT IS LOANED WITH THE UNDERSTANDING THAT IT MAY NOT BE REPRODUCED NOR MAY THE INFORMATION CONTAINED HEREIN BE USED FOR THE MAKING OF DRAWINGS OR FOR MANUFACTURING PURPOSES WITHOUT THE WRITTEN CONSENT OF H&A, INC.

TOLERANCES UNLESS AS NOTED	SCALE ±N/A	NTS	DRAWN BY CC	CK MC
TITLE HPU OUTLINE			APPROVED BY MC	
DATE 2/22/07	DRAWING NUMBER D12948-501		REV. B	