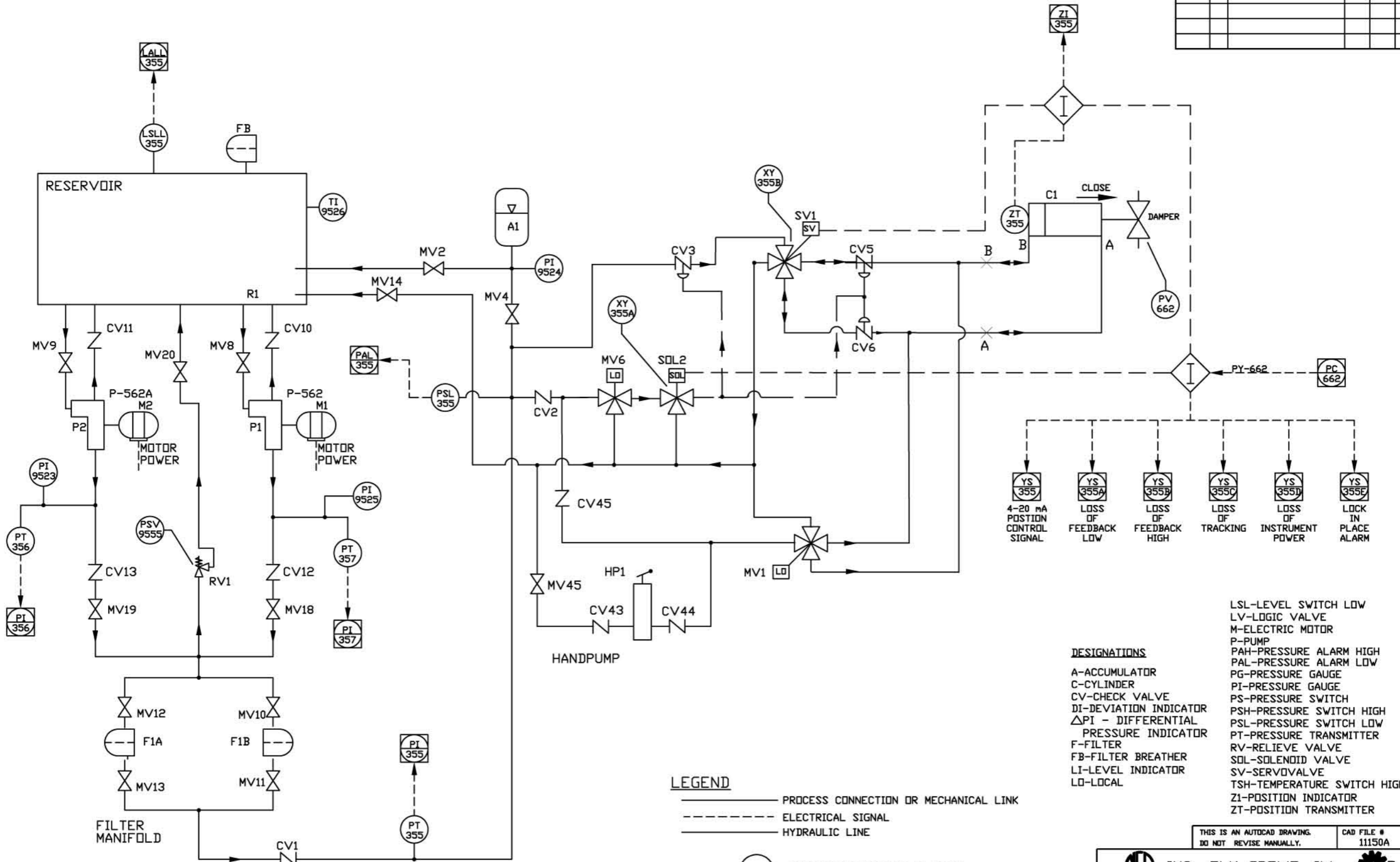


DATE	SYN	REVISION RECORD	ECN#	DR	CK
7/19/07	A	CUSTOMER REQUEST TO ADD TAG NUMBERS, REF. REV. 0	3757	JL	RM



- YS 355 4-20 mA POSITION CONTROL SIGNAL
- YS 355A LOSS OF FEEDBACK LOW
- YS 355B LOSS OF FEEDBACK HIGH
- YS 355C LOSS OF TRACKING
- YS 355D LOSS OF INSTRUMENT POWER
- YS 355E LOCK IN PLACE ALARM

DESIGNATIONS

A-ACCUMULATOR
 C-CYLINDER
 CV-CHECK VALVE
 DI-DEVIATION INDICATOR
 ΔPI - DIFFERENTIAL PRESSURE INDICATOR
 F-FILTER
 FB-FILTER BREATHER
 LI-LEVEL INDICATOR
 LD-LOCAL

LSL-LEVEL SWITCH LOW
 LV-LOGIC VALVE
 M-ELECTRIC MOTOR
 P-PUMP
 PAH-PRESSURE ALARM HIGH
 PAL-PRESSURE ALARM LOW
 PG-PRESSURE GAUGE
 PI-PRESSURE GAUGE
 PS-PRESSURE SWITCH
 PSH-PRESSURE SWITCH HIGH
 PSL-PRESSURE SWITCH LOW
 PT-PRESSURE TRANSMITTER
 RV-RELIEVE VALVE
 SOL-SOLENOID VALVE
 SV-SERVOVALVE
 TSH-TEMPERATURE SWITCH HIGH
 ZI-POSITION INDICATOR
 ZT-POSITION TRANSMITTER

LEGEND

- PROCESS CONNECTION OR MECHANICAL LINK
- ELECTRICAL SIGNAL
- HYDRAULIC LINE

- -INSTRUMENT LOCATED IN FIELD.
- ◐ -INSTRUMENT LOCATED ON CONTROL PANEL.
- ◑ -DISTRIBUTED CONTROL, SHARED DISPLAY DEVICE WITH OPERATOR ACCESS TO ADJUSTMENTS.
- ◒ -COMPLEX LOGIC.

THIS IS AN AUTOCAD DRAWING. DO NOT REVISE MANUALLY. CAD FILE # 11150A

ME.A. INC., ELK GROVE, ILL.

THIS DRAWING IS THE PROPERTY OF ME.A. INC. IT IS LOANED WITH THE UNDERSTANDING THAT IT MAY NOT BE REPRODUCED NOR MAY THE INFORMATION CONTAINED HEREIN BE USED FOR THE MAKING OF DRAWINGS OR FOR MANUFACTURING PURPOSES WITHOUT THE WRITTEN CONSENT OF ME.A. INC.

TOLERANCES EXCEPT AS NOTED	±N/A	SCALE	NTS	DRAWN BY	JL	CK	CC
				APPROVED BY	TWL		

TITLE **P & I DIAGRAM**

DATE	2/23/07	DRAWING NUMBER	C12948-504	REV.	A
------	---------	----------------	------------	------	---