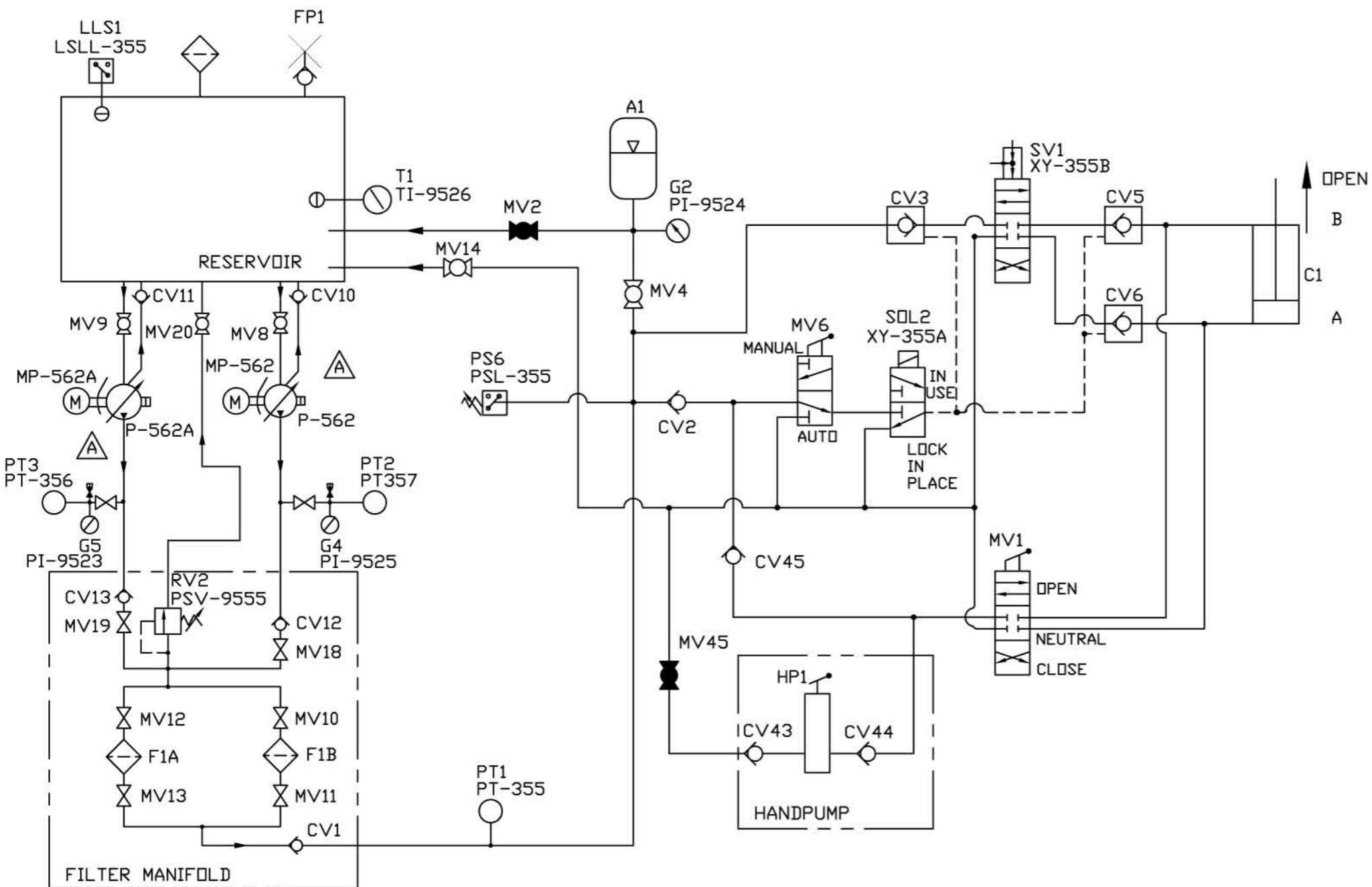
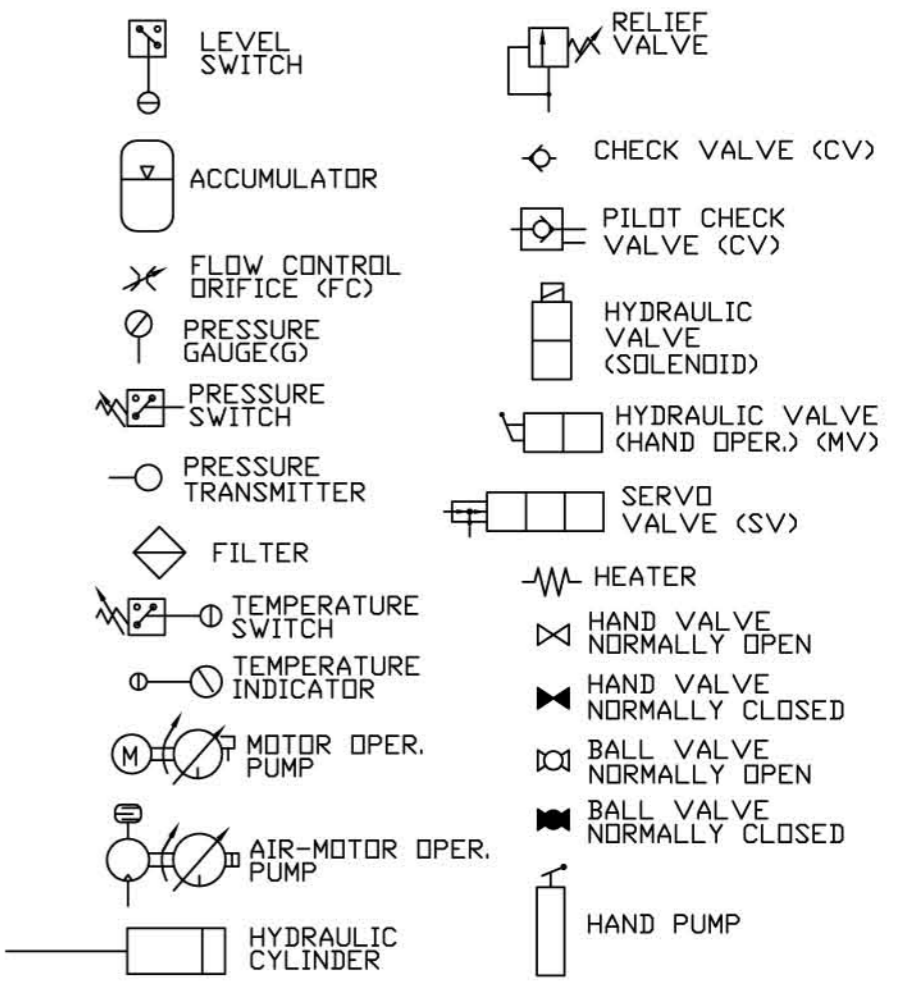


DATE	SYM	REVISION RECORD	ECN#	DR	CK
5/12/07	A	ADDED TAG NUMBERS & NOTES	3700	MC	RM
7/19/07	B	ADDED TAG NUMBERS TO REQUESTED ITEMS, SEE ECN	3757	JL	RM



LEGEND



THIS IS AN AUTOCAD DRAWING. DO NOT REVISE MANUALLY. CAD FILE # 11146B



THIS DRAWING IS THE PROPERTY OF M.E.A. INC. IT IS LOANED WITH THE UNDERSTANDING THAT IT MAY NOT BE REPRODUCED NOR MAY THE INFORMATION CONTAINED HEREIN BE USED FOR THE MAKING OF DRAWINGS OR FOR MANUFACTURING PURPOSES WITHOUT THE WRITTEN CONSENT OF M.E.A. INC.

TOLERANCES (EXCEPT AS NOTED)	± NA	SCALE	NTS	DRAWN BY	JL	CK	CC
				APPROVED BY	TWL		

TITLE
HYDRAULIC SCHEMATIC

DATE	DRAWING NUMBER	REV.
2/22/07	B12948-502	B

- NOTES:
- MOTOR 1 = MP-562
 - PUMP 1 = P-562
 - MOTOR 2 = MP-562A
 - PUMP 2 = P-562A
 - SOLENOIDS SHOWN IN DE-ENERGIZED POSITION

